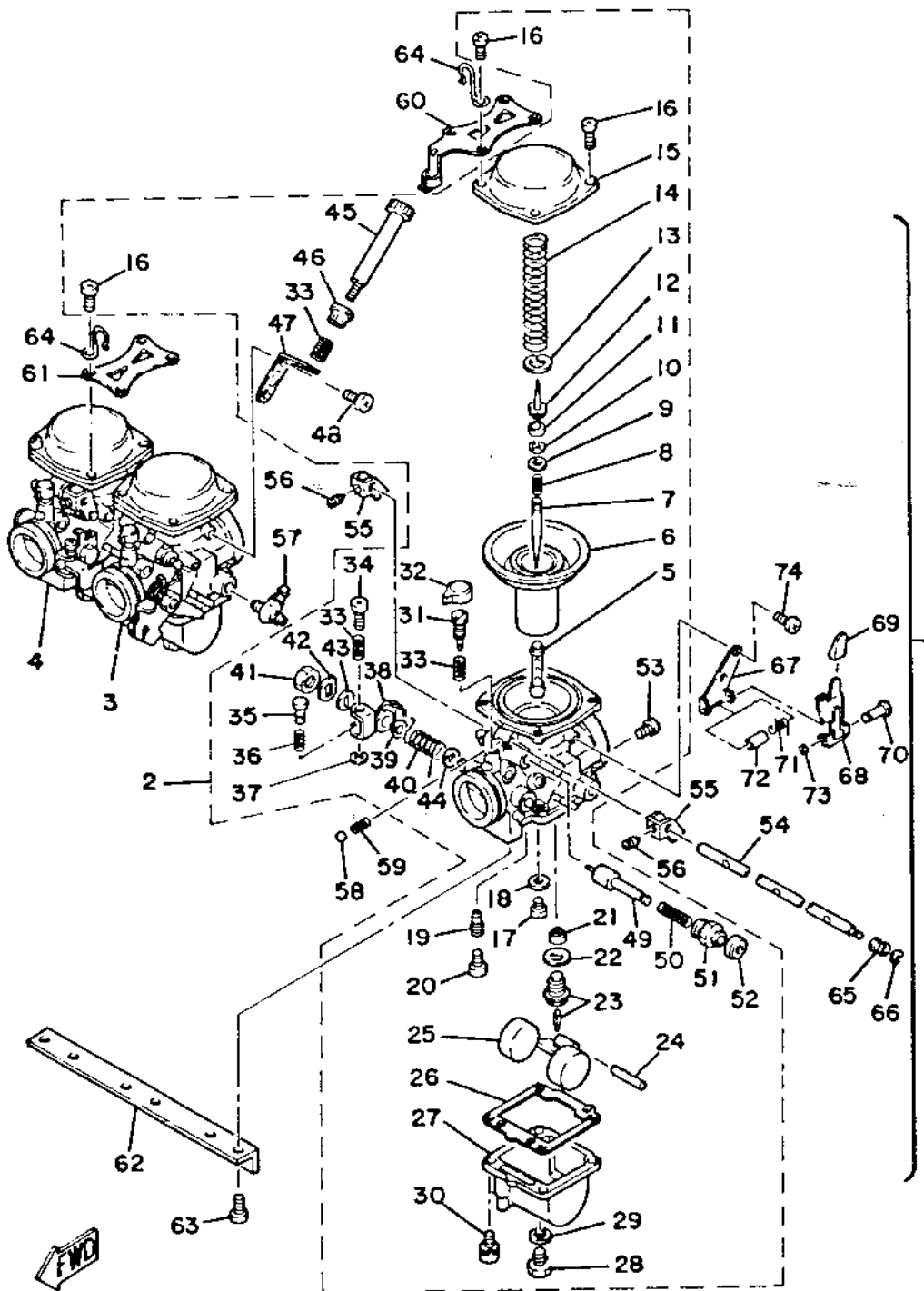


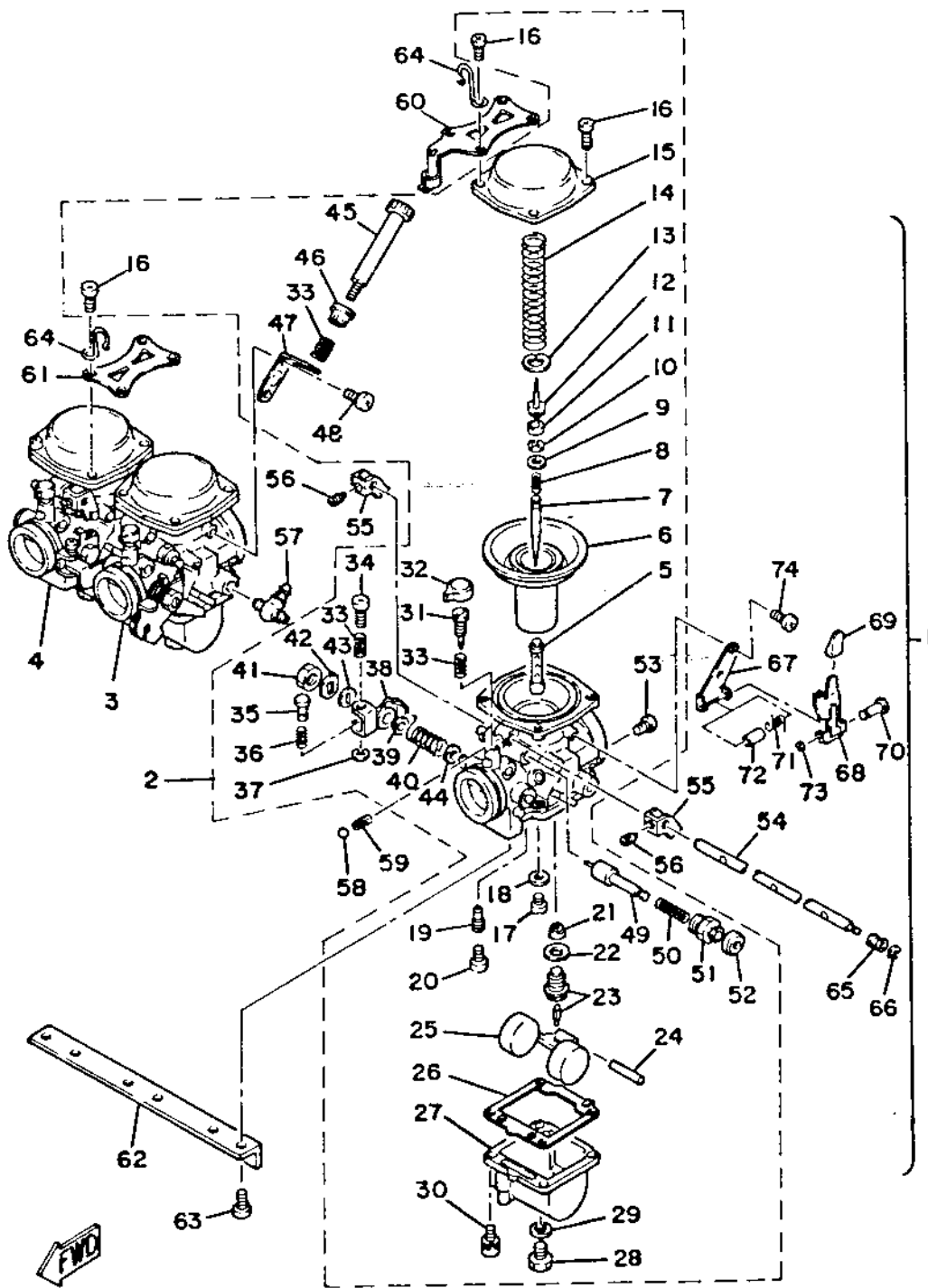
| | | |
|----|---|--------|
| 1 | (2F3-14900-00-00) CARBURETOR ASS'Y..... | 1 |
| | 2F3-14900-00-00 CARBURETOR ASS'Y..... | 1 |
| 2 | 2F3-14901-00-00 CARBURETOR ASS'Y, left..... | 1 |
| 3 | 2F3-14902-00-00 CARBURETOR ASS'Y, middle..... | 1 |
| 4 | 2F3-14903-00-00 CARBURETOR ASS'Y, right..... | 1 |
| 5 | 2F3-14941-90-00 NOZZLE, main (Y-O)..... | 3 |
| 6 | 2F3-14940-00-00 DIAPHRAGM ASS'Y..... | 3 |
| 7 | 2F3-14116-06-00 NEEDLE (5HX6-3)..... | 3 |
| 8 | 2F0-14589-00-00 SPRING, needle..... | 3 |
| 9 | 2F3-14952-00-00 WASHER..... | 3 |
| 10 | 256-14919-00-00 CLIP, needle..... | 3 |
| 11 | 2F0-14918-00-00 RING, needle..... | 3 |
| 12 | 2F3-14946-00-00 PLATE SET, needle..... | 3 |
| 13 | 2F0-14919-00-00 CIRCLIP..... | 3 |
| 14 | 1M0-14933-00-00 SPRING, diaphragm..... | 3 |
| 15 | 2F3-14958-00-00 COVER, diaphragm..... | 3 |
| 16 | 97801-05014-00 SCREW, pan head..... | 12 |
| 17 | 620-14231-26-A0 JET, main (#130)..... | 3 |
| | 620-14231-25-00 JET, main (#125)..... | } U.R. |
| | 620-14231-26-00 JET, main (#130)..... | |
| | 620-14231-28-00 JET, main (#140)..... | |
| 18 | 137-14153-00-00 WASHER..... | |
| 19 | 256-14142-42-A0 JET, pilot (#42.5)..... | 3 |
| | 256-14142-42-00 JET, pilot (#42.5)..... | 3 |
| 20 | 2F1-14991-00-00 SCREW, plug..... | 3 |
| 21 | 1J7-14994-00-00 NET, filter..... | 3 |
| 22 | 239-14195-00-00 WASHER, valve seat..... | 3 |
| 23 | 1J7-14190-20-00 VALVE SEAT ASS'Y (2.0φ)..... | 3 |
| 24 | 537-14186-00-00 PIN, float..... | 3 |
| 25 | 2A2-14985-00-00 FLOAT..... | 3 |
| 26 | 2A2-14984-01-00 GASKET, float chamber..... | 3 |
| 27 | 2A2-14981-06-00 BODY, float chamber..... | 3 |
| 28 | 1A8-14991-00-00 SCREW, plug..... | 3 |
| 29 | 1L9-14952-00-00 WASHER..... | 3 |
| 30 | 97601-05114-00 SCREW, pan head with washer..... | 12 |

| CARBURETOR - Mfr./Type/I.D. Number | Mikuni / BS34-ii / 2F3-00 |
|-------------------------------------|---------------------------|
| Main Jet/Pilot Jet | 130 / 42.5 |
| Needle Jet/Jet Needle-Clip Position | Y-O / 5HX6-3 |
| Slide Cutaway or Throttle Valve | 135 |
| Float Level | 25.7 ± 1.0mm |



| | | | |
|----|-----------------|-------------------------------|---|
| 31 | 2A2-14923-00-00 | SCREW, pilot | 3 |
| 32 | 8A7-14969-00-00 | CAP, pilot screw | 3 |
| 33 | 256-14934-01-00 | SPRING, pilot screw | 6 |
| 34 | 256-14922-01-00 | SCREW, throttle stop | 2 |
| 35 | 584-14992-00-00 | ROD, push | 2 |
| 36 | 584-14934-00-00 | SPRING, adjust | 2 |
| 37 | 256-14937-00-00 | CLIP | 2 |
| 38 | 2F3-14964-00-00 | LEVER, throttle left | 1 |
| | 2F3-14913-00-00 | LEVER, throttle middle | 1 |
| | 2F3-14963-00-00 | LEVER, throttle right | 1 |
| 39 | 2A2-14918-00-00 | RING | 3 |
| 40 | 2F3-14931-00-00 | SPRING, throttle lever left | 1 |
| | 2A2-14932-00-00 | SPRING, throttle lever middle | 1 |
| | 2F3-14932-00-00 | SPRING, throttle lever right | 1 |
| 41 | 90170-12175-00 | NUT (98801-12200) | 3 |
| 42 | 256-14953-00-00 | WASHER | 3 |
| 43 | 306-14970-00-00 | COLLAR, spring | 3 |
| 44 | 2A2-14997-00-00 | SEAL | 3 |
| 45 | 2A2-14922-00-00 | ADJUSTER ASS'Y | 1 |
| 46 | 1J7-14998-00-00 | BUSHING, adjuster | 1 |
| 47 | 2F3-14243-00-00 | BRACKET | 1 |
| 48 | 97801-04008-00 | SCREW, pan head | 2 |
| 49 | 2A2-14171-00-00 | PLUNGER STARTER ASS'Y | 3 |
| 50 | 256-14135-00-00 | SPRING, plunger | 3 |
| 51 | 2A2-14174-00-00 | CAP, plunger | 3 |
| 52 | 2A2-14173-00-00 | COVER, plunger cap | 3 |
| 53 | 2A2-14172-36-00 | JET, air pilot (#180) | 3 |
| 54 | 2F3-14978-00-00 | SHAFT, starter lever | 1 |
| 55 | 2A2-14905-00-00 | LEVER, starter | 3 |
| 56 | 2F3-14991-00-00 | SCREW | 3 |
| 57 | 1J7-14988-00-00 | NIPPLE | 2 |
| 58 | 93501-08001-00 | BALL (1/8 inch) | 2 |

| CARBURETOR - Mfr./Type/I.D. Number | Mikuni / BS34-11 / 2F3-00 |
|-------------------------------------|---------------------------|
| Main Jet/Pilot Jet | 130 / 42.5 |
| Needle Jet/Jet Needle-Clip Position | Y-O / 5HX6-3 |
| Slide Cutaway or Throttle Valve | 135 |



| | | | |
|----|-----------------|--------------------------------|---|
| 59 | 583-14589-00-00 | SPRING, | 2 |
| 60 | 2F3-14926-00-00 | THROTTLE BRACKET ASS'Y. | 1 |
| 61 | 1J7-14243-00-00 | PLATE, upper | 1 |
| 62 | 1J7-14146-00-00 | PLATE, lower | 1 |
| 63 | 97801-06014-00 | SCREW, pan head | 6 |
| 64 | 90462-13032-00 | CLIP | 2 |
| 65 | 2F3-14998-00-00 | BUSHING, starter lever 2 | 1 |
| 66 | 737-14137-00-00 | CLIP, starter lever 2 | 1 |
| 67 | 2F3-14995-00-00 | BRACKET, starter lever 1 | 1 |
| 68 | 2F3-14975-00-00 | LEVER, starter 1 | 1 |
| 69 | 2F3-14968-00-00 | CAP, starter lever | 1 |
| 70 | 2F3-14386-00-00 | PIN, starter lever 1 | 1 |
| 71 | 2F3-14938-00-00 | SPRING, starter lever 1 | 1 |
| 72 | 2F3-14996-00-00 | PIPE, starter lever 1 | 1 |
| 73 | 2F3-14919-00-00 | CLIP, starter lever 1 | 1 |
| 74 | 97801-04008-00 | SCREW, pan head | 2 |

| CARBURETOR -- Mfr./Type/I.D. Number | Mikuni / BS34-II / 2F3-00 |
|-------------------------------------|---------------------------|
| Main Jet/Pilot Jet | 130 / 42.5 |
| Needle Jet/Jet Needle Clip Position | Y-O / 5HX6-3 |
| Slide Cutaway or Throttle Valve | 135 |
| Float Level | 25.7 ± 1.0mm |
| Idle RPM | 1000 rpm |
| CO % @ Idle (Diagnostic Use Only) | 3 ± 2% |