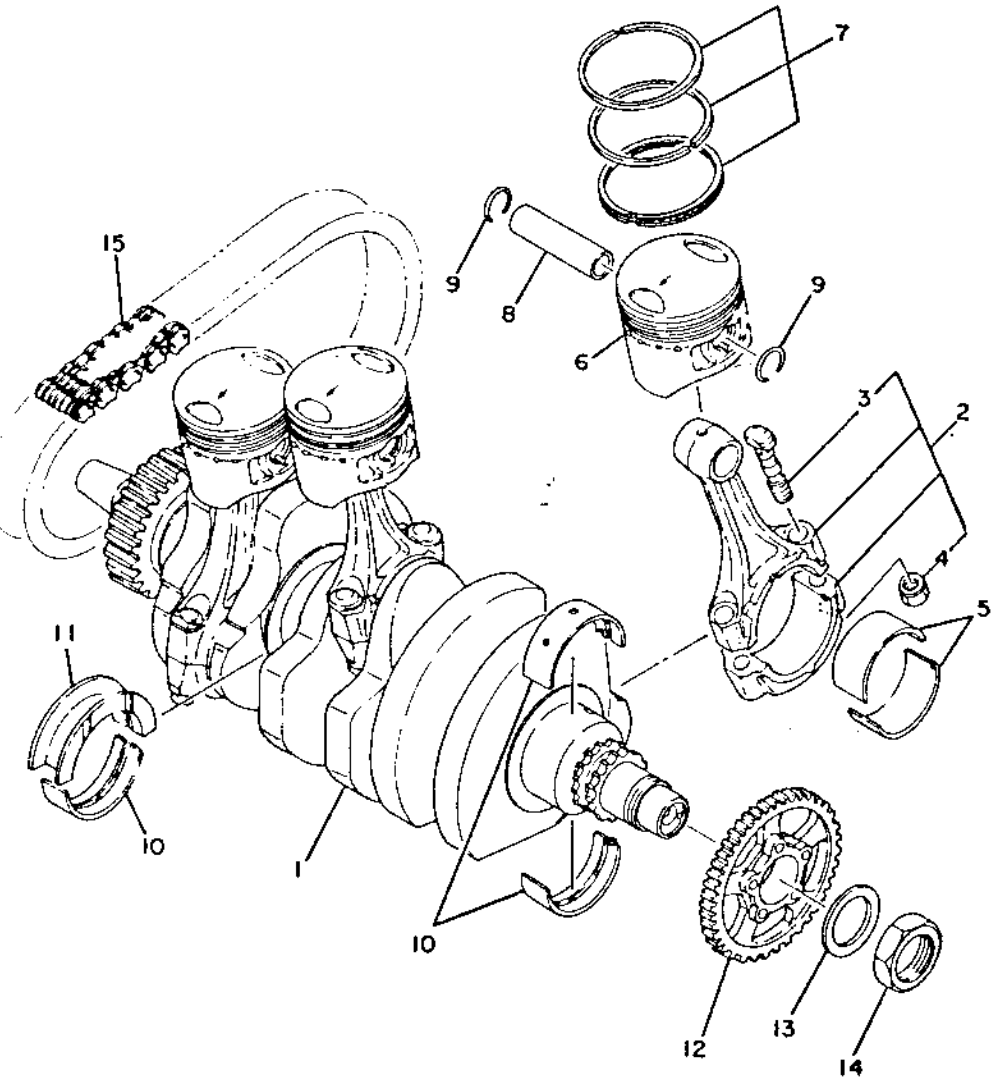


Piston Skirt Clearance new/max.	0.050 ~ 0.055mm / 0.1mm
Ring End Gap top/2nd/3rd	0.2 ~ 0.4mm / 0.2 ~ 0.4mm / 0.2 ~ 0.9mm



1	1J7-11411-03-00	CRANKSHAFT.....	1	
2	1J7-11650-01-00	CONNECTING ROD ASS'Y.....	3	
3	1J7-11654-00-00	. BOLT, connecting rod.....	6	
4	90170-09192-00	. NUT, hexagon	6	
5	2F3-11656-00-00	BEARING, connecting rod 1	6	U.R. } Blue Black Brown Green Yellow
	2F3-11656-10-00	BEARING, connecting rod 2		
	2F3-11656-20-00	BEARING, connecting rod 3		
	2F3-11656-30-00	BEARING, connecting rod 4		
	2F3-11656-40-00	BEARING, connecting rod 5		

TABLE 1: CONNECTING ROD BEARING SELECTION

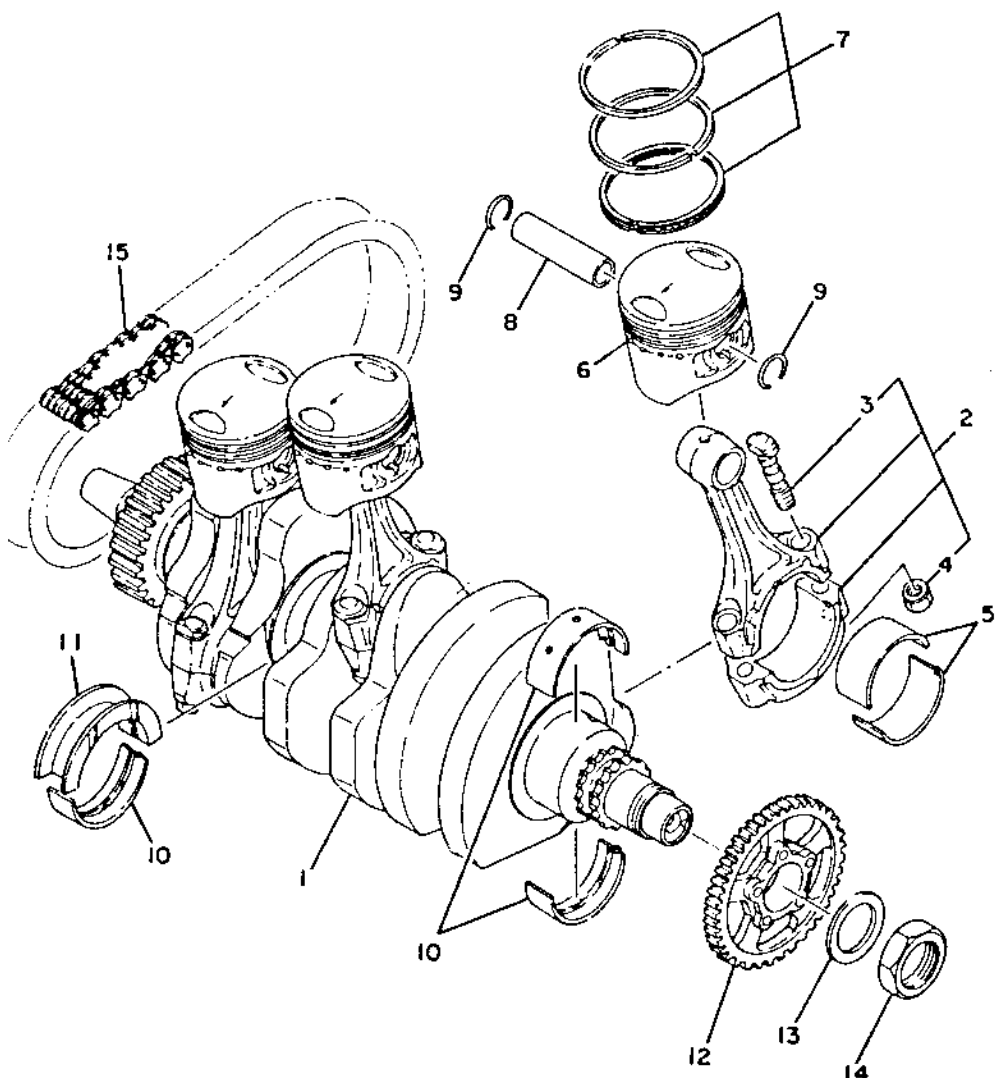
Housing No. - Shaft No. = Bearing No.

	Center Thickness T	Housing Diameter	No.	Shaft Diameter	No.	Oil Clearance
		45.5 ϕ ^{+0.024} / _{+0.016}	4	42.5 ϕ ⁰ / _{-0.008}	1	0.031 ~
BEARING 1	1.5 ^{+0.001} / _{-0.003}	45.5 ϕ ^{+0.016} / _{+0.008}	5	42.5 ϕ ^{0.009} / _{-0.016}	2	0.031 ~
BEARING 2	1.5 ^{-0.003} / _{-0.007}	45.5 ϕ ^{+0.008} / ₀	6	42.5 ϕ ^{0.017} / _{-0.024}	3	0.031 ~
BEARING 3	1.5 ^{-0.007} / _{-0.011}					0.031 ~
BEARING 4	1.5 ^{-0.011} / _{-0.015}					0.031 ~
BEARING 5	1.5 ^{-0.015} / _{-0.019}					0.031 ~

6	2F3-11631-04-96	PISTON (67.96mm STD).....	3	U.R. }
	2F3-11631-04-97	PISTON (67.97mm STD).....		
	2F3-11635-04-00	PISTON (68.25mm 1st O.S)		
	2F3-11636-04-00	PISTON (68.50mm 2nd O.S).....		
	2F3-11637-04-00	PISTON (68.75mm 3rd O.S).....		
	2F3-11638-04-00	PISTON (69.00mm 4th O.S).....		
7	2F3-11610-02-00	PISTON RING SET (STD).....	3s	
	2F3-11610-03-00	PISTON RING SET (STD) (2F3-11610-02)	3s	
	2F3-11610-12-00	PISTON RING SET (1st O.S).....	3s	
	2F3-11610-13-00	PISTON RING SET (1st O.S) (2F3-11610-12)	3s	
	2F3-11610-22-00	PISTON RING SET (2nd O.S)	3s	
	2F3-11610-23-00	PISTON RING SET (2nd O.S) (2F3-11610-22)	3s	

FWD

Piston Skirt Clearance new/max.	0.050 ~ 0.055mm / 0.1mm
Ring End Gap top/2nd/3rd	0.2 ~ 0.4mm / 0.2 ~ 0.4mm / 0.2 ~ 0.9mm



2F3-11610-32-00	PISTON RING SET (3rd O.S).....	3s	
2F3-11610-33-00	PISTON RING SET (3rd O.S) (2F3-11610-32)	3s	
2F3-11610-42-00	PISTON RING SET (4th O.S).....	3s	
2F3-11610-43-00	PISTON RING SET (4th O.S) (2F3-11610-42)	3s	
8	1J7-11633-00-00	PIN, piston	3
9	90468-12069-00	CLIP, piston pin	6
10	1J7-11416-00-00	BEARING, crankshaft A-1	} U.R. 7
	1J7-11416-10-00	BEARING, crankshaft A-2	
	1J7-11416-20-00	BEARING, crankshaft A-3	
	1J7-11416-30-00	BEARING, crankshaft A-4	
	1J7-11416-40-00	BEARING, crankshaft A-5	
11	1J7-11417-00-00	BEARING, crankshaft B-1	} U.R. 1
	1J7-11417-10-00	BEARING, crankshaft B-2	
	1J7-11417-20-00	BEARING, crankshaft B-3	
	1J7-11417-30-00	BEARING, crankshaft B-4	
	1J7-11417-40-00	BEARING, crankshaft B-5	

Blue
Black
Brown
Green
Yellow
Blue
Black
Brown
Green
Yellow

TABLE 1: CONNECTING ROD BEARING SELECTION

Housing No. - Shaft No. = Bearing No.

	Center Thickness T	Housing Diameter	No.	Shaft Diameter	No.	Oil Cle.
		53φ +0.024 +0.016	4	50φ 0 -0.008	1	0.022
BEARING 1	1.5 +0.006 +0.002	53φ +0.016 +0.008	5	50φ -0.009 -0.016	2	0.022
BEARING 2	1.5 +0.002 -0.002	53φ +0.008 0	6	50φ -0.017 -0.024	3	0.022
BEARING 3	1.5 -0.002 -0.006					0.022
BEARING 4	1.5 -0.006 -0.010					0.022
BEARING 5	1.5 -0.010 -0.014					0.022

12	1J7-13324-00-00	GEAR, pump drive	1
13	90201-26600-00	WASHER, plate (26.5-36-1.5).....	1
14	90170-26191-00	NUT, hexagon.....	1
15	1J7-16139-04-00	CHAIN, primary (72 links)	1

