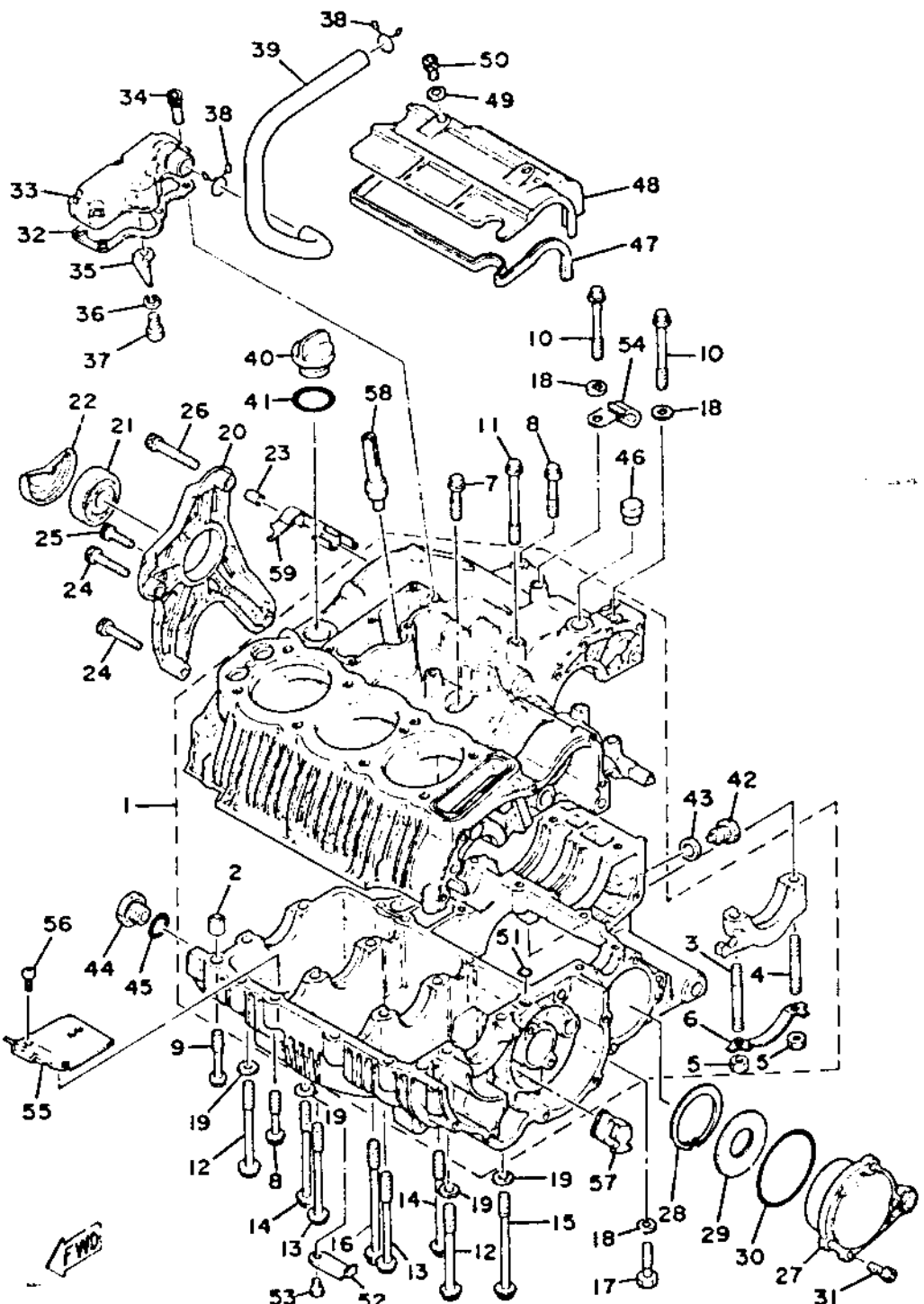


1	2G2-15100-00-00	CRANKCASE ASS'Y	1
2	91830-22016-00	. PIN, dowel (8.4-12-16) (91810-05016)	2
3	90116-08229-00	. BOLT, stud	1
4	90116-08230-00	. BOLT, stud	1
5	90170-08158-00	. NUT	2
6	2K3-15186-00-00	. WASHER	1
7	95821-08035-00	BOLT, flange	1
8	95821-08045-00	BOLT, flange	11
9	95821-08050-00	BOLT, flange	1
10	95821-08075-00	BOLT, flange	3
11	95821-08085-00	BOLT, flange	1
12	95821-10095-00	BOLT, flange	2
13	95821-10100-00	BOLT, flange	2
14	95821-10105-00	BOLT, flange	2
15	95821-10115-00	BOLT, flange	1
16	95821-10125-00	BOLT, flange	1
17	97321-08040-00	BOLT	1
18	90201-08382-00	WASHER, plate	3
19	90201-10128-00	WASHER, plate (341-83909-00)	4
20	1J7-15442-00-00	HOUSING, bearing	1
21	93306-30418-00	BEARING (B6304)	1
22	2F3-15449-01-00	RING, rubber	1
23	91810-03014-00	PIN, dowel (8.5-10-15)	2
24	91316-08040-00	BOLT, hexagon socket head	2
25	91316-08025-00	BOLT, hexagon socket head	1
26	91316-08050-00	BOLT, hexagon socket head	1
27	2G2-15164-00-00	HOUSING, bearing	1
28	93420-65052-00	CIRCLIP	1
29	90201-31662-00	WASHER, plate	1
30	93210-71315-00	O-RING (1.9-71)	1
31	91316-06020-00	BOLT, hexagon socket head	4
32	1J7-11169-00-00	GASKET, breather cover	1

Oil Pressure hot/rpm	2.0 kg/cm ² @ 60° C / 1100 rpm @ 0.1
Oiling System	Wet Sump
Capacity: Dry	3500cc
Oil and Filter Change	3100cc
Oil Change	2800cc
Lubricant: Temp above 5° C (40° F)	Yamafube 4 ⁺ or SAE 20W40SD
	SAE 10W30SE Motor Oil



Ref. No. Part Number Description Qty.

33	2G2-11168-00-00	COVER, breather.....	1
34	91316-06025-00	BOLT, hexagon socket head.....	6
35	1J7-11165-00-00	PLATE, breather.....	1
36	92903-06100-00	WASHER, spring (92901-06100)....	1
37	92503-06015-00	SCREW, pan head (92501-06015)...	1
38	90467-14015-00	CLIP.....	2
39	2F3-11166-00-00	PIPE, breather.....	1
40	2F3-15363-00-00	PLUG, oil level.....	1
41	93210-29198-00	O-RING (3.1-29.4).....	1
42	90340-14042-00	PLUG, straight screw.....	1
43	214-11198-01-00	GASKET.....	1
44	90401-18042-00	BOLT, union.....	1
45	93210-18319-00	O-RING (2.2-18).....	1
46	2117-17590-00-00	BREATHER COMP.....	1
47	1J7-15446-00-00	SEAL, starting motor cover.....	1
48	2G2-15436-00-00	COVER, starting motor.....	1
49	92906-06200-00	WASHER, plain.....	2
50	91316-06012-00	BOLT, hexagon socket head.....	2
51	93210-09350-00	O-RING (1.9-8.8).....	1
52	90465-08112-00	CLAMP, harness (1J7-81666-00)....	2
53	97301-06010-00	BOLT.....	2
54	90465-08017-00	CLAMP.....	1
55	2F3-15123-00-00	PLATE, baffle.....	3
56	90167-05002-00	SCREW, pan head tapping.....	9
57	2F3-15167-00-00	PLUG, blind.....	1
58	2F3-15358-20-00	SEPARATOR, oil.....	1
59	2F3-15432-09-00	COLLECTOR, oil (2F3-15432-00)....	1

Oil Pressure hot/rpm	2.0 kg/cm ² @60°C/1100rpm @ Oil Press
Oiling System	Wet Sump
Capacity: Dry	3500cc
Oil and Filter Change	3100cc
Oil Change	2800cc
Lubricant: Temp above 5°C (40°F)	Yamalube 4° or SAE 20W40SE Mo
Below 15°C (60°F)	SAE 10W30SE Motor Oil