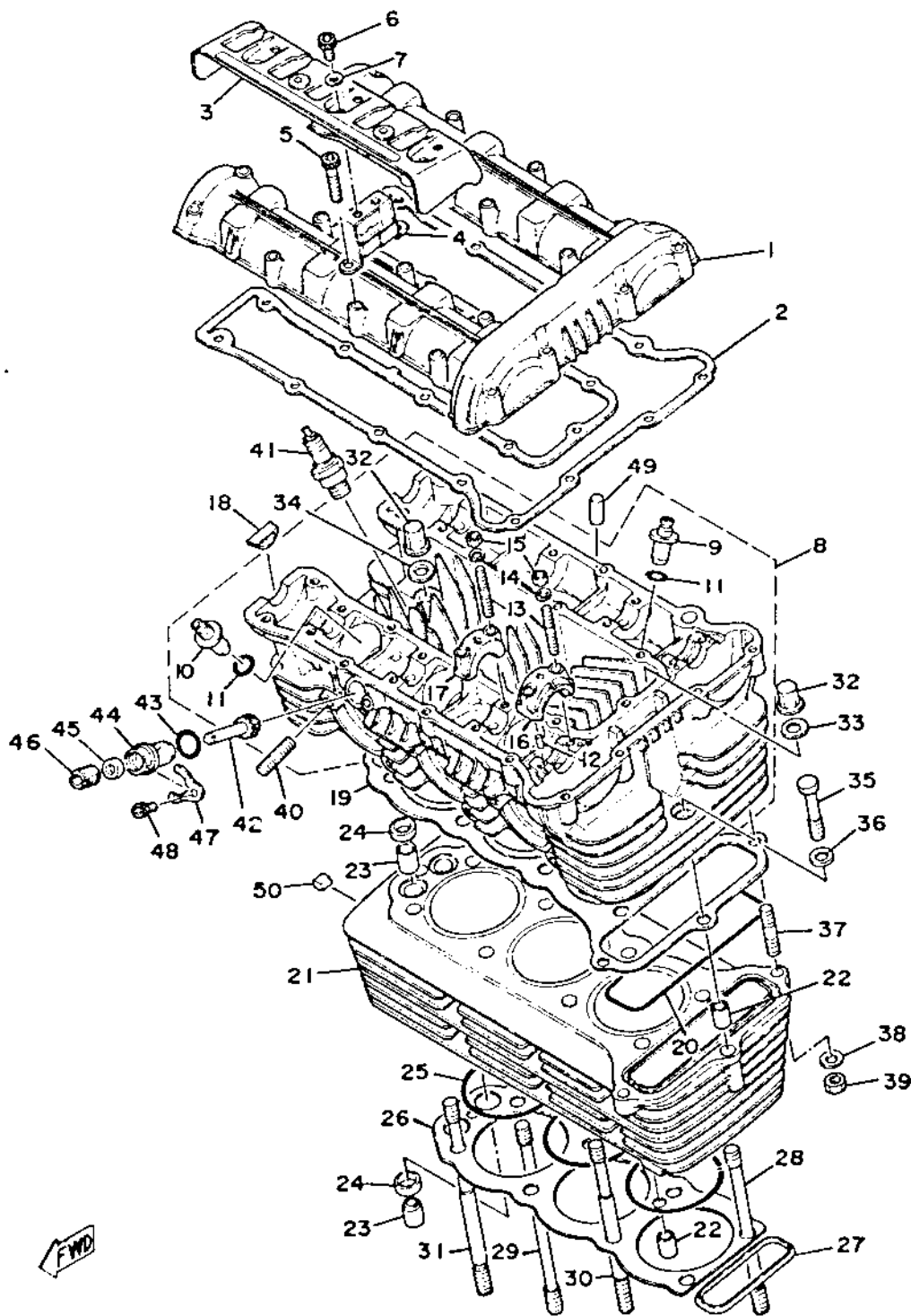


Bore/Stroke/Number Cylinders/Displacement (cc) 60mm / 66.0mm / 3 / 747cc

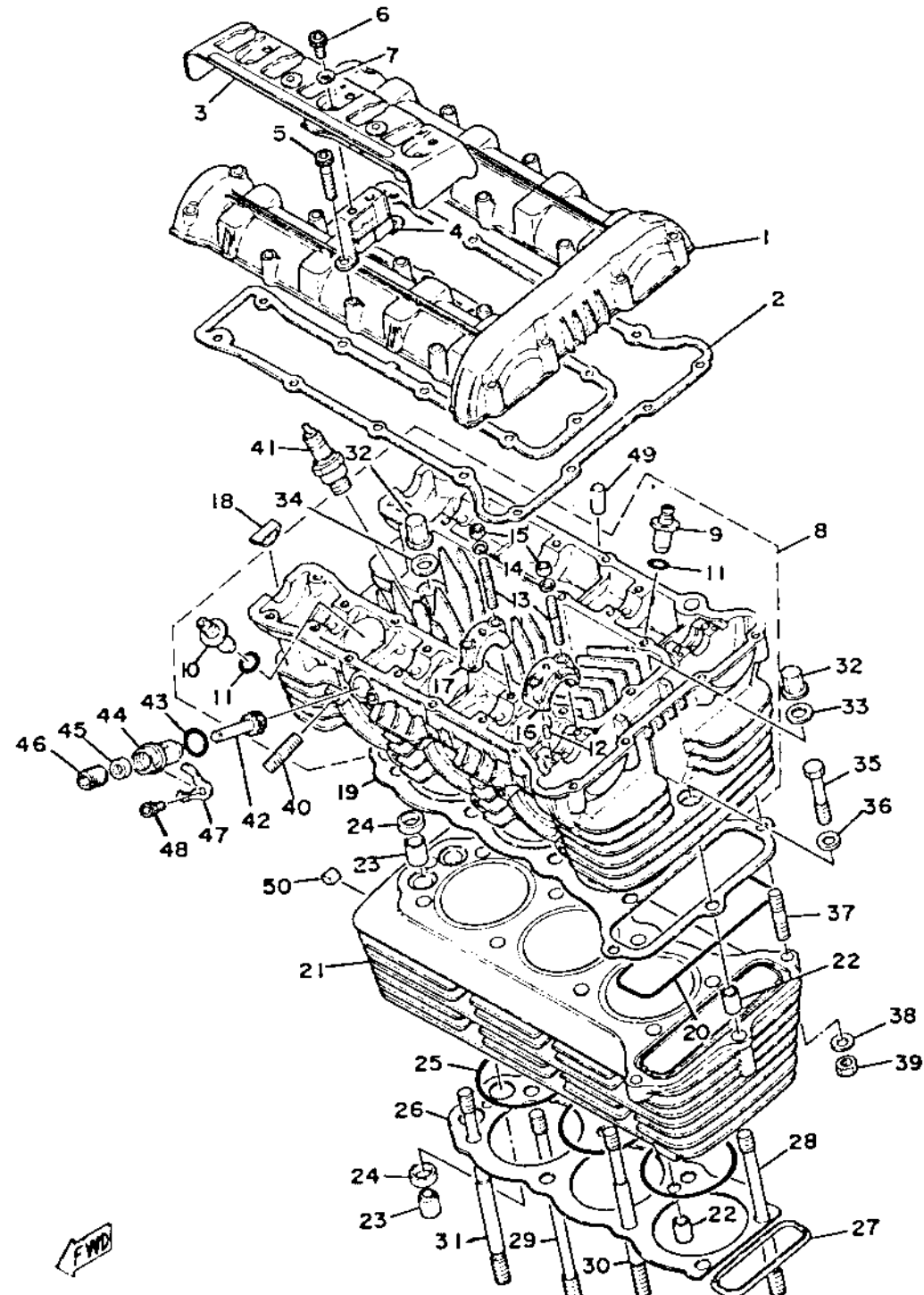
Compression Ratio/Compression Pressure min ~ max 9.2: 1 / 9 ~ 11 kg/cm²



| Ref. No. | Part Number | Description | Qty. |
|----------|-----------------|---|------|
| 1 | 2G2-11191-00-00 | COVER, cylinder head 1..... | 1 |
| 2 | 1J7-11193-00-00 | GASKET, cylinder head cover..... | 1 |
| 3 | 1J7-11192-03-00 | COVER, cylinder head 2..... | 1 |
| 4 | 1J7-11183-01-00 | BRACKET, camshaft right..... | 3 |
| 5 | 91316-06035-00 | BOLT, hexagon socket head..... | 21 |
| 6 | 91316-06014-00 | BOLT, hexagon socket head..... | 6 |
| 7 | 92906-06600-00 | WASHER, plate..... | 6 |
| 8 | 2G2-11110-00-00 | CYLINDER HEAD ASSY..... | 1 |
| 9 | 1J7-11133-10-00 | . GUIDE, intake valve (1st O.S)..... | 3 |
| 10 | 1J7-11134-10-00 | . GUIDE, exhaust valve (1st O.S)..... | 3 |
| 11 | 93210-11313-00 | . O-RING (1.3-11.8)..... | 6 |
| 12 | 93603-09004-00 | . PIN, dowel..... | 4 |
| 13 | 90116-06228-00 | . BOLT, stud..... | 16 |
| 14 | 90201-06431-00 | . WASHER, plate (6.2-11-1)..... | 16 |
| 15 | 95301-06600-00 | . NUT, hexagon..... | 16 |
| 16 | 1J7-12173-10-00 | . CAP, camshaft 1..... | 2 |
| 17 | 1J7-12183-10-00 | . CAP, camshaft 2..... | 6 |
| 18 | 2G2-11138-00-00 | PLUG, semi-circular..... | 2 |
| 19 | 2F3-11181-00-00 | GASKET, cylinder head..... | 1 |
| 20 | 1J7-11355-00-00 | SEAL, cylinder 1..... | 1 |
| 21 | 2G2-11310-00-00 | CYLINDER..... | 1 |
| 22 | 91810-03014-00 | PIN, dowel (8.5-10-14)..... | 4 |
| 23 | 91809-16016-00 | PIN, dowel (10.5-14-16) (91810-16016)..... | 4 |
| 24 | 1J7-11357-00-00 | SEAL, cylinder 3..... | 4 |
| 25 | 93210-74316-00 | O-RING (1.9-74.5)..... | 3 |
| 26 | 1J7-11351-02-00 | GASKET, cylinder..... | 1 |
| 27 | 1J7-11356-00-00 | SEAL, cylinder 2..... | 1 |
| 28 | 90116-10273-00 | BOLT, stud..... | 3 |
| 29 | 90116-10274-00 | BOLT, stud..... | 1 |
| 30 | 2F3-11363-00-00 | BOLT, cylinder holding 3..... | 2 |
| 31 | 2F3-11364-00-00 | BOLT, cylinder holding 4..... | 2 |
| 32 | 90179-10212-00 | NUT..... | 8 |

| | |
|---------------------------------|-----------------------------|
| Spark Plug Type | NGK BP-7ES or Champion N-7Y |
| Spark Plug Gap / Torque / Cap Ω | 0.7 ~ 0.8 / 2.0 m/kg / 5K Ω |

| TORQUE VALUES | |
|---------------------|--------------------|
| Cylinder Head Cover | 8 ~ 10 / 1.0 ~ 1.5 |



| | | | |
|----|-----------------|--|--------|
| 33 | 90201-10124-00 | WASHER, plate (10-18-5.2.3) (371-11175-00) | 6 |
| 34 | 90201-11597-00 | WASHER, plate | 2 |
| 35 | 90101-08310-00 | BOLT, hexagon | 2 |
| 36 | 90201-08382-00 | WASHER, plate (8-16-2) | 2 |
| 37 | 90116-08161-00 | BOLT, stud | 2 |
| 38 | 90201-08382-00 | WASHER, plate | 2 |
| 39 | 95311-08600-00 | NUT | 2 |
| 40 | 90116-08271-00 | BOLT, stud | 6 |
| 41 | 94701-00117-00 | PLUG, spark (BP-7ES) | U.R. 3 |
| | 94701-00135-00 | PLUG, spark (Champion N-7Y) | 3 |
| 42 | 1J7-17841-00-00 | GEAR, tachometer driven (15T) | 1 |
| 43 | 93210-15171-00 | O-RING (1.9-14.5) | 1 |
| 44 | 2F3-17811-00-00 | HOUSING, tachometer gear | 1 |
| 45 | 93104-07036-00 | OIL SEAL (SO-7-13-4) | 1 |
| 46 | 256-17848-00-00 | ADAPTER | 1 |
| 47 | 1J7-17812-00-00 | STOPPER | 1 |
| 48 | 91316-06012-00 | BOLT, hexagon socket head | 1 |
| 49 | 1J7-13569-00-00 | PLUG, blind | 1 |
| 50 | 434-11161-00-00 | ABSORBER | 29 |

| | |
|---------------------------------|-----------------------------|
| Spark Plug Type | NGK BP-7ES or Champion N-7Y |
| Spark Plug Gap / Torque / Cap Ω | 0.7 ~ 0.8 / 2.0 m·kg / 5K Ω |

| TORQUE VALUES | |
|---------------------|---------------------------|
| Cylinder Head Cover | 6 x 1.0: 1.0 m·kg |
| Cylinder Head: | 10 x 1.25: 3.5 m·kg (oil) |

| PART NUMBER | DESCRIPTION | REMARKS |
|----------------|-------------------|--|
| 90890-01182-00 | SPARK PLUG WRENCH | TX/XS500 (18mm FO "D" SERIES NGK SP PLUGS) |

| SCREW TYPE | SNAP-ON [®] TOOL NUMBER | SOCKET DRIVE | MODEL |
|------------|----------------------------------|--------------|-------|
|------------|----------------------------------|--------------|-------|

FWD