

Please take notice of the following points, when you place an order for the M GEAR and FINAL DRIVE GEAR sections.

- Two kinds of parts apply to these sections.
 TYPE I YGO-00000-00-0G
 TYPE II 1J7-00000-Y0 (N0) or 90000-00000
- The meaning of marking "⏏"
 Example: YGO-00000-00-0G ⏏
 1J7-00000-Y0 (N0)

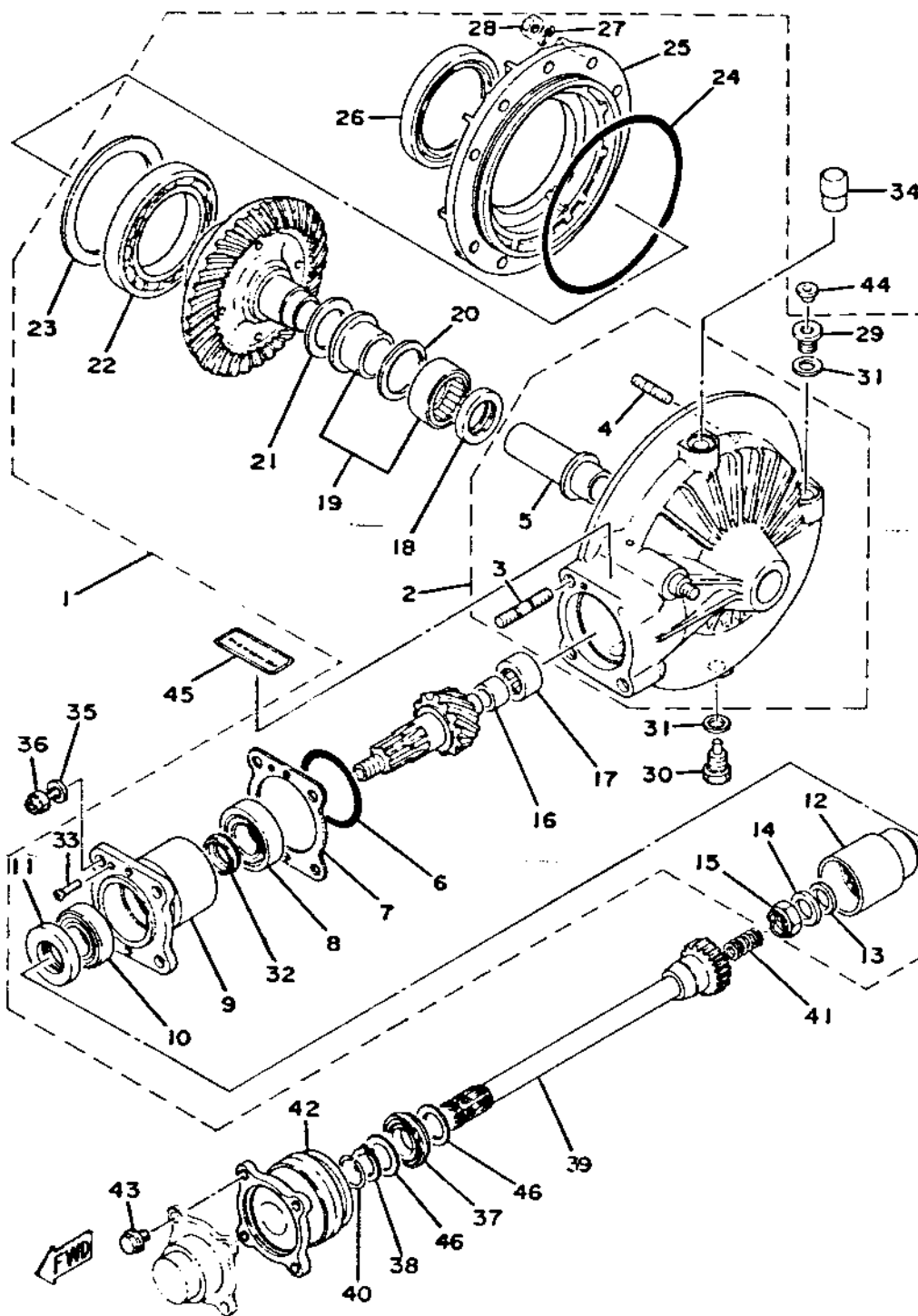
When the marking "⏏" is shown, both parts are interchangeable with each other. When no marking shown, interchangeability is unavailable.

Parts not having a marking "⏏" are not interchangeable both ways. Discrimination of these two types can be provided with the marking of "YAMAHA" displayed on TYPE II parts at the arrow "⏏" marking section, but TYPE I parts do not have the "YAMAHA" marking.



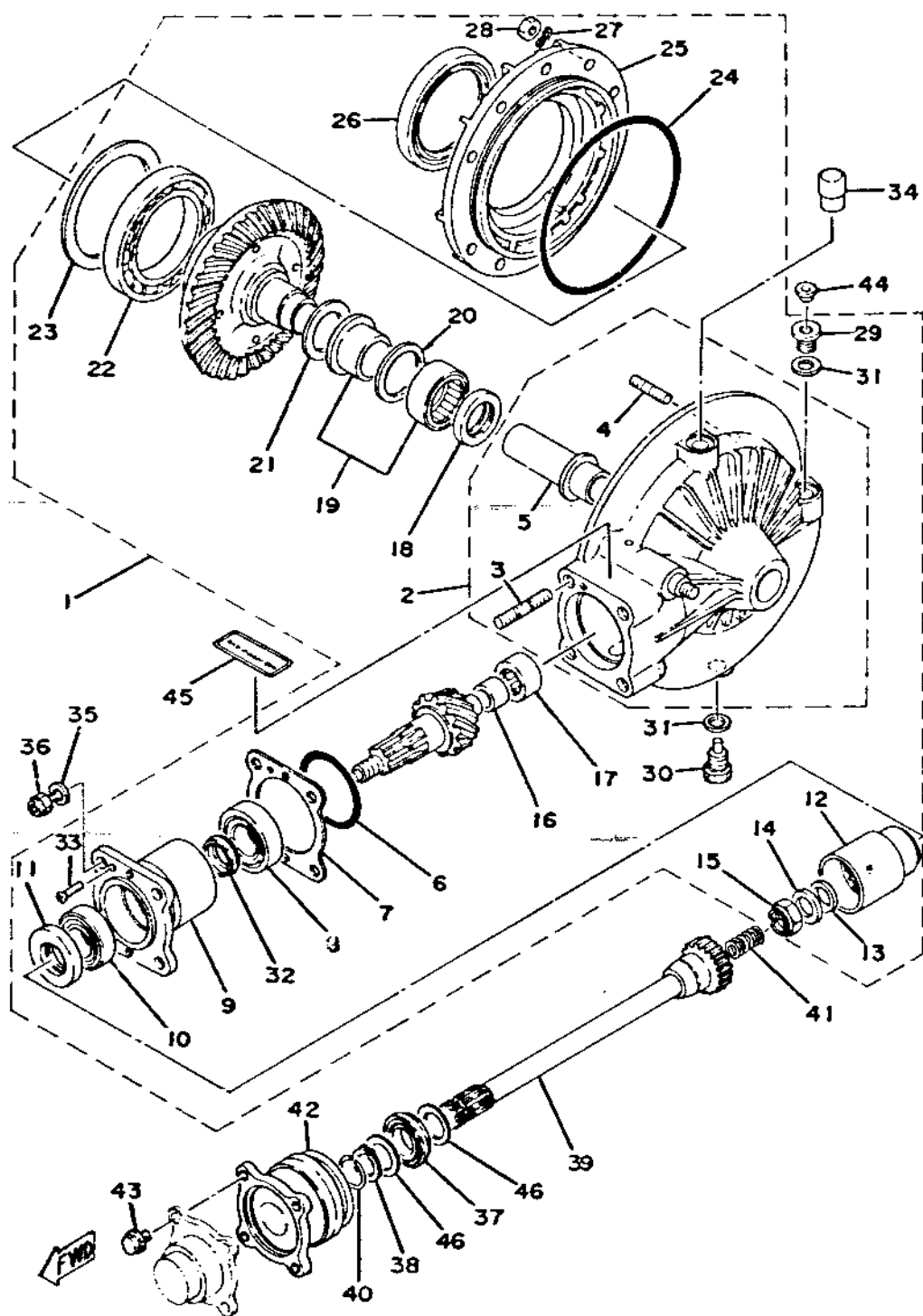
- | | | | | |
|---|-----------------|--|----|--------|
| 1 | 1J7-46101-N0-00 | REAR AXLE GEAR CASE ASSY (YG4-11000-32-0G)..... | 1 | TYPE I |
| 2 | 1J7-46150-Y0-00 | DRIVE SHAFT HOUSING COMP. (YG4-11011-50-0G)..... | 1 | |
| 3 | 90116-10249-00 | BOLT, stud (YG9-00903-91-3G)... | 4 | M1 |
| 4 | 90116-08247-00 | BOLT, stud (YG9-00901-91-3G)... | 10 | M8 |
| 5 | 1J7-46153-Y0-00 | COLLAR, guide (YG4-11706-80-0G)..... | 1 | |
| 6 | 93210-58346-00 | O-RING (2-58) (YG9-00008-98-1G) | 1 | |

Final Gear Case Capacity	300cc
Gear Case Lubricant: Temp above 5°C (40°F)	SAE 90 Hypoid Gear Oil GL-4
Temp below 15°C (60°F)	SAE 80 Hypoid Gear Oil GL-4
All Weather Conditions	SAE 80W90 Hypoid Gear Oil GL-4



- | | | | |
|----|-----------------|--|-------------|
| 7 | 1J7-46127-Y0-30 | SHIM, drive pinion (0.30)
(YG4-11708-10-0G) | } U.R.
1 |
| | 1J7-46127-Y0-35 | SHIM, drive pinion (0.35)
(YG4-11708-20-0G) | |
| | 1J7-46127-Y0-40 | SHIM, drive pinion (0.40)
(YG4-11708-30-0G) | |
| | 1J7-46127-Y0-45 | SHIM, drive pinion (0.45)
(YG4-11708-40-0G) | |
| | 1J7-46127-Y0-50 | SHIM, drive pinion (0.50)
(YG4-11708-50-0G) | |
| | 1J7-46127-Y0-55 | SHIM, drive pinion (0.55)
(YG4-11708-60-0G) | } U.R.
1 |
| 8 | 93332-00024-00 | BEARING, tapered roller
(YG9-00908-17-3G) | |
| 9 | YG4-11006-90-1G | HOUSING, bearing | |
| | 1J7-46124-Y0-00 | HOUSING, bearing | |
| 10 | 93332-00023-00 | BEARING, tapered roller
(YG9-00906-17-3G) | |
| 11 | 93101-38086-00 | OIL SEAL (S-38-50-7)
(YG9-00971-96-0G) | |
| 12 | YG4-11707-11-0G | COUPLING, gear
(YG4-11707-10-0G) | |
| | 1J7-46123-Y0-00 | COUPLING, gear | |
| 13 | YG9-00922-14-4G | SPACER, bearing (14-20-1.00) | |
| | YG9-00922-24-4G | SPACER, bearing (14-20-1.52) | |
| | YG9-00922-34-4G | SPACER, bearing (14-20-1.54) | |
| | YG9-00922-44-4G | SPACER, bearing (14-20-1.56) | |
| | YG9-00922-54-4G | SPACER, bearing (14-20-1.58) | |
| | YG9-00922-64-4G | SPACER, bearing (14-20-1.60) | |
| | YG9-00922-74-4G | SPACER, bearing (14-20-1.70) | |
| | YG9-00922-84-4G | SPACER, bearing (14-20-1.80) | |
| | YG9-00922-94-4G | SPACER, bearing (14-20-1.90) | |

Final Gear Case Capacity	300cc
Gear Case Lubricant: Temp above 5°C (40°F)	SAE 90 Hypoid Gear Oil GL-4
Temp below 15°C (60°F)	SAE 90 Hypoid Gear Oil GL-4

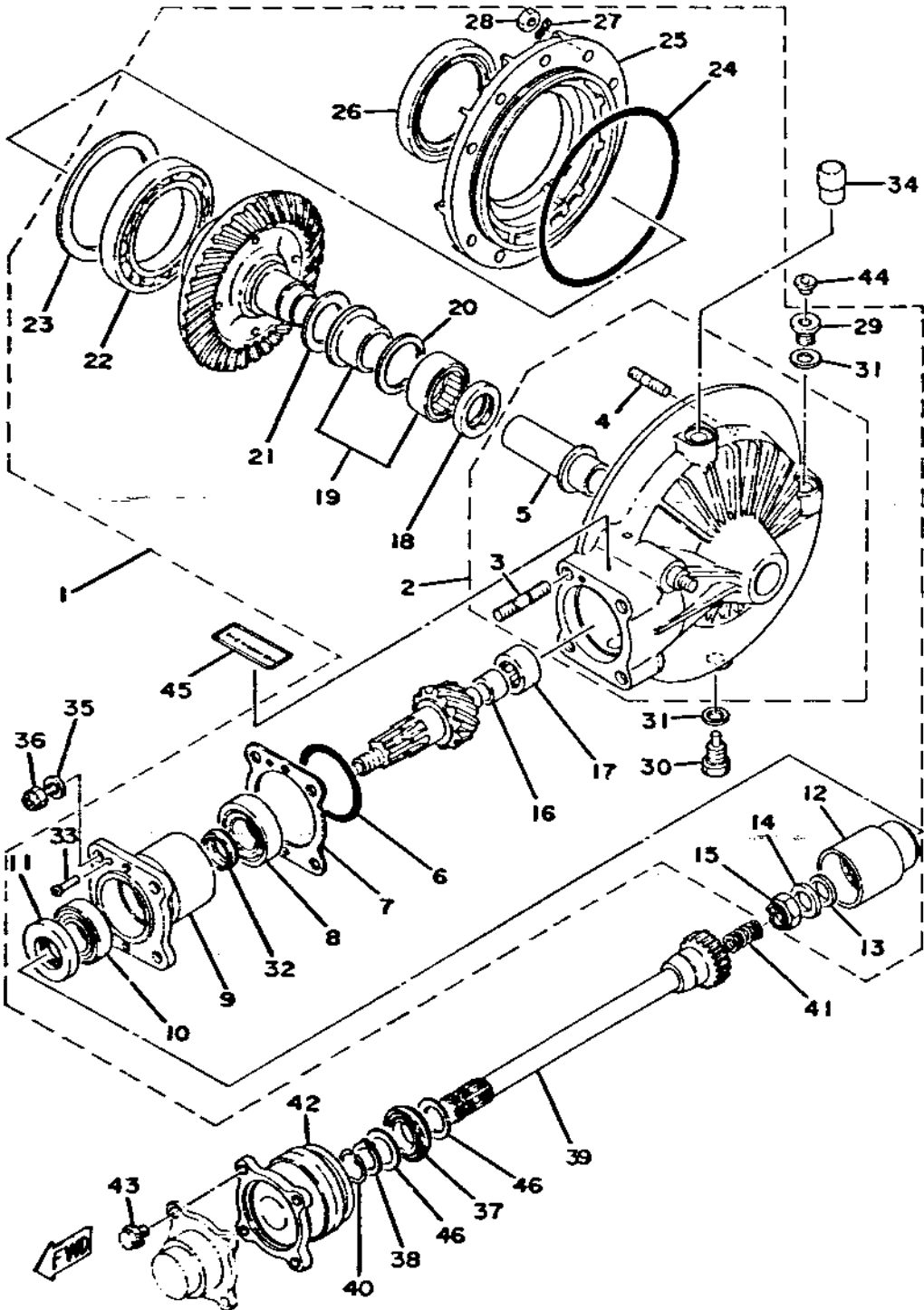


- 14 90201-14632-00 . WASHER, plate (14-26-4)
(YG9-00933-44-4G) 1
- 15 90185-14070-00 . NUT, self-locking
(YG9-00001-62-7G) 1
- 16 1J7-46122-Y0-00 . RACE, inner(YG4-11708-80-0G) 1
- 17 93317-41510-00 . BEARING (YG9-00920-47-6G)..... 1
- 18 93101-30084-00 . OIL SEAL (S-30-42-7)
(YG9-00968-76-0G) 1
- 19 1J7-46106-N0-00 . BEARING (YG9-00942-77-5G)..... 1
- 20 1J7-46118-Y0-18 . WASHER, thrust (37-47-1.8)..... } U.R.
- 1J7-46118-Y0-19 . WASHER, thrust (37-47-1.9)..... } 1
- 1J7-46118-Y0-20 . WASHER, thrust (37-47-2.0)
(YG4-11708-70-0G) } 1
- 1J7-46118-Y0-21 . WASHER, thrust (37-47-2.1)..... } U.R.
- 21 1J7-46119-Y0-10 . SHIM, thrust (33-45-0.1)
(YG9-00974-14-4G) } U.R.
- 1J7-46119-Y0-20 . SHIM, thrust (33-45-0.2)
(YG9-00974-24-4G) } 1
- 22 93316-01402-00 . BEARING (16014)
(YG9-00901-37-1G) 1

MIDDLE AND FINAL GEAR CASE TOOL

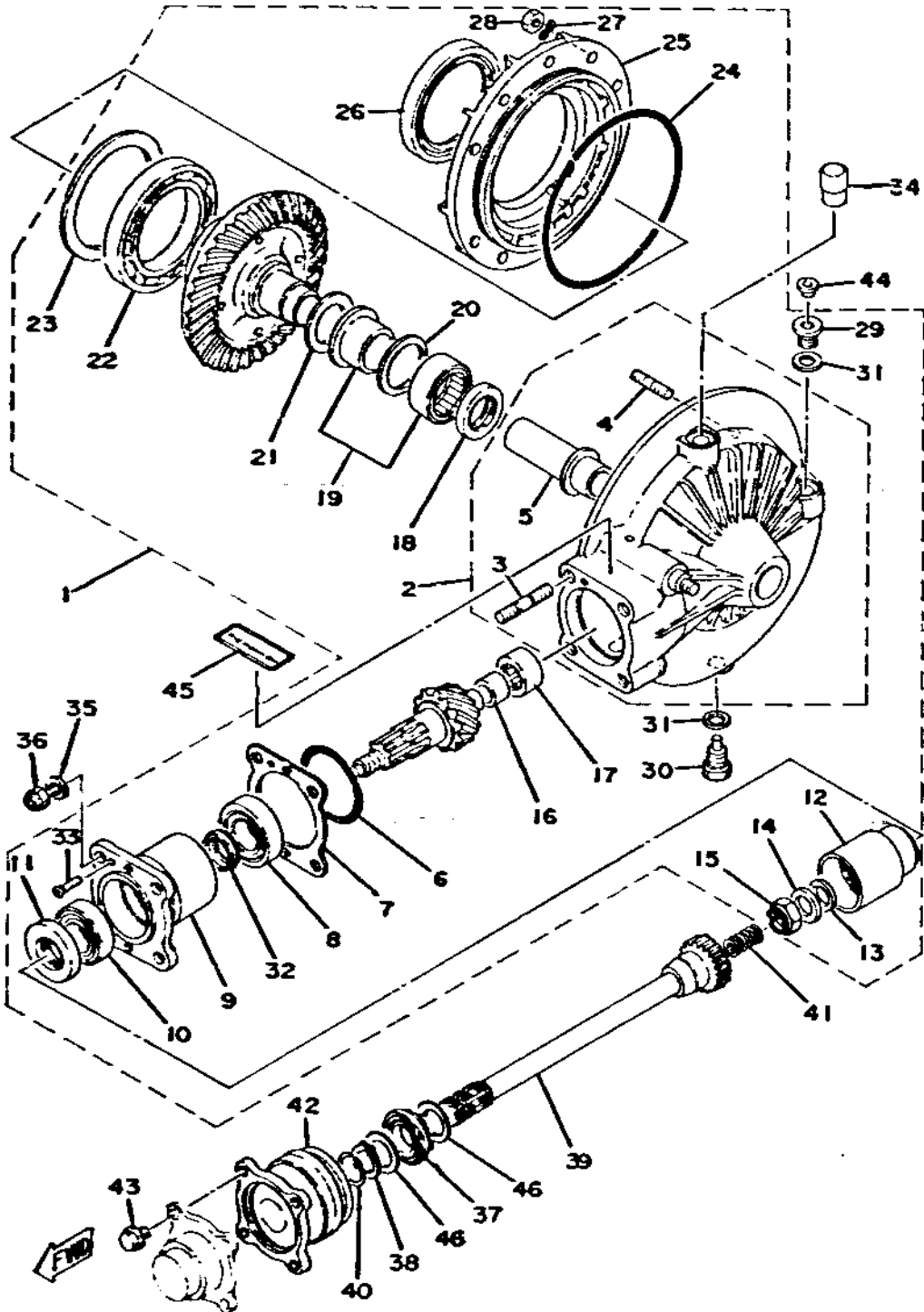
PART NUMBER	DESCRIPTION	REMARK
90890-01083-00	SLIDE HAMMER BOLT	
90890-01084-00	SLIDE HAMMER WEIGHT	
90890-01229-00	GEAR HOLDING TOOL	
90890-01230-00	GEAR LASH TOOL	FINAL
90890-01231-00	GEAR LASH TOOL	MIDDLE
90890-01250-00	RING GEAR HOLDING TOOL	FINAL
90890-01254-00	RING GEAR HOLDING TOOL T.L.A.#P	FINAL
90890-01257-00	DIAL INDICATOR STAND	
90890-04012-00	DRIVE SHAFT PULLER	NOT SHOWN

Final Gear Case Capacity	300cc
Gear Case Lubricant: Temp above 5°C (40°F)	SAE 90 Hypoid Gear Oil GL-4
Temp below 15°C (60°F)	SAE 80 Hypoid Gear Oil GL-4
All Weather Conditions	SAE 80W90 Hypoid Gear Oil GL-4



- | | | | |
|----|-----------------|--|-------------|
| 23 | 1J7-46117-Y0-30 | . SHIM, ring gear (95-110-0.3)
(YG9-00928-14-4G) | } U.R.
1 |
| | 1J7-46117-Y0-35 | . SHIM, ring gear (95-110-0.35)
(YG9-00928-24-4G) | |
| | 1J7-46117-Y0-40 | . SHIM, ring gear (95-110-0.4)
(YG9-00928-34-4G) | |
| | 1J7-46117-Y0-45 | . SHIM, ring gear (95-110-0.45)
(YG9-00928-44-4G) | |
| | 1J7-46117-Y0-50 | . SHIM, ring gear (95-110-0.5)
(YG9-00928-54-4G) | |
| | YG9-00928-64-4G | . SHIM, ring gear (95-110-5.5) | |
| 24 | 93211-44348-00 | . O-RING (3-144) (YG9-00011-88-1G) | 1 |
| 25 | 1J7-46152-Y0-00 | . HOUSING, bearing
(YG4-11007-30-0G) | 1 |
| 26 | 93102-70166-00 | . OIL SEAL (SD-70-90-10) | 1 |
| 27 | 92901-08700-00 | . WASHER, wave (YG9-00014-84-1G) | 10 |
| 28 | 95311-08600-00 | . NUT (YG9-00001-52-0G) | 10 |
| 29 | 90340-14046-00 | . PLUG, oil inlet
(YG9-00006-61-5G) | 1 |
| 30 | 90340-14042-00 | . PLUG, oil drain (YG9-00907-11-5G) | 1 |
| 31 | 214-11198-01-00 | . GASKET (YG9-00027-26-2G) | 2 |
| 32 | 1J7-46129-Y0-00 | . SPACER, expansion | 1 |
| 33 | 98703-05018-00 | . SCREW, flat head (98701-05018) | 1 |
| 34 | 2H7-17590-00-00 | . BREATHER COMP. | 1 |
| 35 | 92903-10100-00 | . WASHER, spring (92901-10100) | 4 |
| 36 | 95611-10100-00 | . NUT, U | 4 |
| 37 | 93108-27006-00 | . OIL SEAL (OSO-27-43.6-7) | 1 |

Final Gear Case Capacity	300cc
Gear Case Lubricant: Temp above 5°C (40°F)	SAE 90 Hypoid Gear Oil GL-4
Temp below 15°C (60°F)	SAE 80 Hypoid Gear Oil GL-4
All Weather Conditions	SAE 80W90 Hypoid Gear Oil GL-4



38	93410-26011-00	CIRCLIP (S-26)	1
39	1J7-46172-01-00	SHAFT, drive	1
40	90468-14067-00	CLIP	1
41	90501-18442-00	SPRING, compression	1
42	1J7-46170-02-00	BALL JOINT COMP.	1
43	90105-08066-00	BOLT, washer based	4
44	341-23469-00-00	CAP. bolt	1
45	1J7-46181-10-00	LABEL, oil caution	1
46	90201-27623-00	WASHER, plate (27-41-0.5)	2

Final Gear Case Capacity	300cc
Gear Case Lubricant: Temp above 5°C (40°F)	SAE 90 Hypoid Gear Oil GL-4
Temp below 15°C (60°F)	SAE 80 Hypoid Gear Oil GL-4
All Weather Conditions	SAE 80W90 Hypoid Gear Oil GL-4