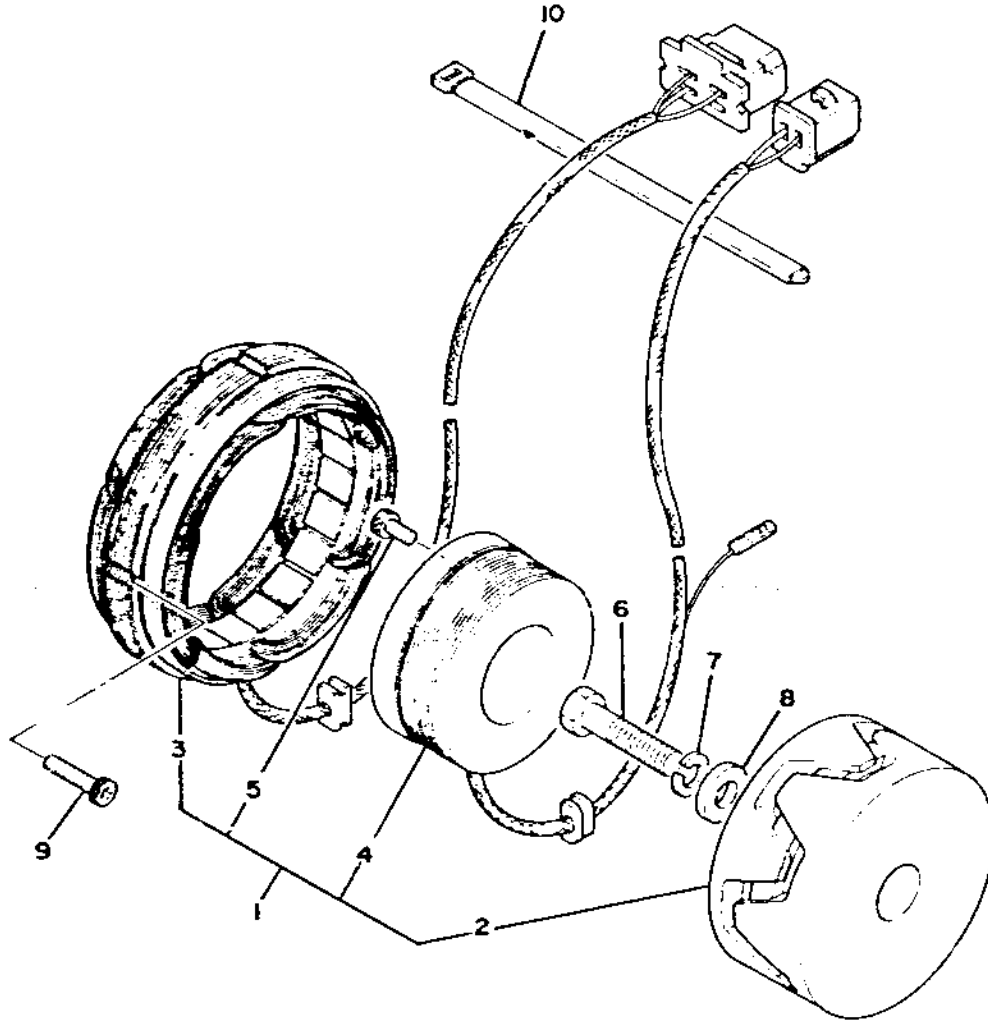


| | |
|--|---|
| CHARGING SYSTEM | A.C. Generator / Three Phase / Full Wave |
| Battery: Model / Spec. Grav. / Chg. Rate | Yuasa YB14L (12V 14AH) / 1.28 / 1.4A |
| Maximum Output | 14.5V 18A @ 5000 rpm |
| TROUBLESHOOTING | |
| Field Coil Color Code / Ω | Rotor: Grn ~ Blk / $3.5 \Omega \pm 10\%$ Stator: Wht ~ Wht / $0.48 \Omega \pm 10\%$ |
| Charge Coil Color Code / Ω | ϕ |



| | | | |
|----|-----------------|---|---|
| 1 | 1J7-81600-50-00 | A.C. GENERATOR ASS'Y..... | 1 |
| 2 | 1J7-81650-10-00 | . ROTOR COMP..... | 1 |
| 3 | 1J7-81610-50-00 | . STATOR ASS'Y | 1 |
| 4 | 1J7-81660-10-00 | . FIELD COIL ASS'Y..... | 1 |
| 5 | 91316-C6012-00 | . BOLT, hexagon socket head..... | 3 |
| 6 | 90101-10188-00 | BOLT | 1 |
| 7 | 92903-10100-00 | WASHER, spring (92901-10100).... | 1 |
| 8 | 90201-10508-00 | WASHER, plate (10.1-24-5) (341-81663-01) | 1 |
| 9 | 91316-06030-00 | BOLT, hexagon socket head..... | 4 |
| 10 | 341-26397-01-00 | BAND..... | 2 |