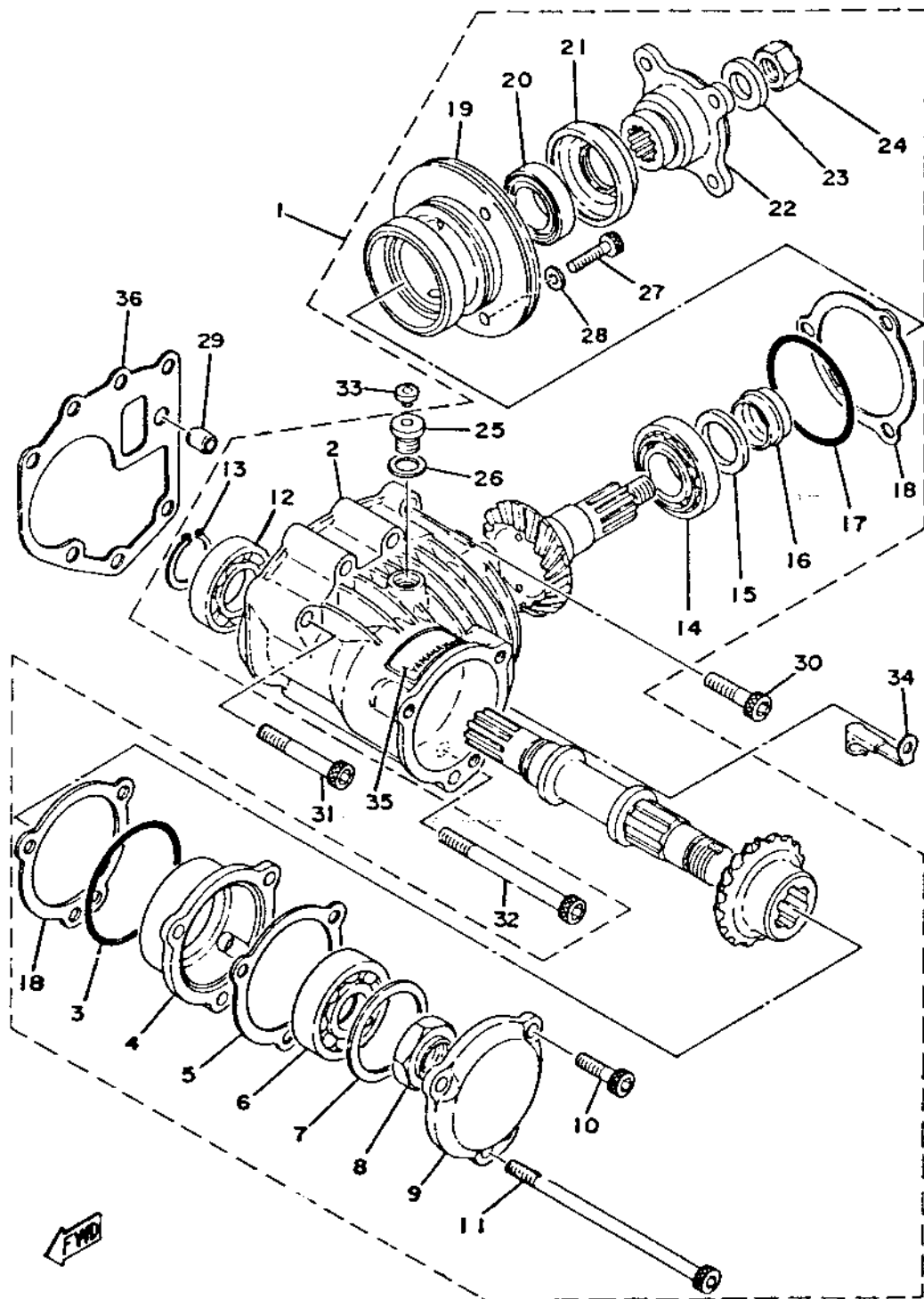


1	2G2-17501-H1-00	MIDDLE GEAR CASE ASS'Y (2G2-17501-N1).....	1
2	2H7-17511-00-00	. HOUSING, middle gear.....	1
3	93210-68347-00	. O-RING (3-68).....	1
4	2H7-17521-00-00	. HOUSING, bearing.....	1
5	1J7-17519-Y0-00	. GASKET, housing cap.....	1
6	93306-30520-00	. BEARING (6305 RB1).....	1
7	1J7-17537-Y0-15	. SHIM, thrust (50-62-0.15).....	} U.R.
	1J7-17537-Y0-30	. SHIM, thrust (50-62-0.3).....	
	1J7-17537-Y0-40	. SHIM, thrust (50-62-0.4).....	
	1J7-17537-Y0-50	. SHIM, thrust (50-62-0.5).....	
8	90179-24230-00	. NUT.....	1
9	2H7-17538-00-00	. CAP, housing.....	1
10	91316-08030-00	. BOLT, hexagon socket head.....	3
11	91316-08160-00	. BOLT, hexagon socket head.....	1
12	93306-00608-00	. BEARING (6006C3).....	1
13	93410-30012-00	. CIRCLIP (S-30).....	1
14	93332-00022-00	. BEARING, tapered roller.....	1
15	90201-25634-00	. WASHER, plate (25.4-37-6).....	1
16	1J7-17571-Y0-00	. SPACER, expansion.....	1
17	93210-71360-00	. O-RING.....	1
18	2H7-17531-00-10	. SHIM, pinion (0.10).....	} U.R.
	2H7-17531-00-15	. SHIM, pinion (0.15).....	
	2H7-17531-00-30	. SHIM, pinion (0.30).....	
19	1J7-17551-Y1-00	. HOUSING, bearing.....	1
20	93332-00023-00	. BEARING, tapered roller.....	1
21	93101-35085-00	. OIL SEAL (S-35-63-16.5).....	1
22	1J7-17555-Y0-00	. FLANGE, middle gear.....	1
23	90201-14633-00	. WASHER, plate (14.1-32-5).....	1
24	90185-14070-00	. NUT, self-locking.....	1
25	90340-14046-00	. PLUG, oil inlet.....	1
26	214-11198-01-00	. GASKET.....	1
27	90110-08022-00	. BOLT, hexagon socket head.....	3

Middle Gear Case Capacity	375cc
Final Gear Case Capacity	300cc
Gear Case Lubricant: Temp above 5°C (40°F)	SAE 90 Hypoid Gear Oil GL-4
Temp below 15°C (60°F)	SAE 80 Hypoid Gear Oil GL-4



28	90201-08675-00	WASHER, plate	3
29	91830-21014-00	PIN, dowel (6.4-10-14)	1
30	91316-08035-00	BOLT, hexagon socket head	1
31	91316-08060-00	BOLT, hexagon socket head	3
32	91316-08100-00	BOLT, hexagon socket head	2
33	341-23469-00-00	CAP, plug	1
34	90465-10137-00	CLAMP, harness	1
35	1J7-46181-10-00	LABEL, oil caution	1
36	1J7-17518-00-00	GASKET, middle gear case	1

MIDDLE AND FINAL GEAR CASE T

REF. NO.	PART NUMBER	DESCRIPTION	
1	90890-01083-00	SLIDE HAMMER BOLT	
2	90890-01084-00	SLIDE HAMMER WEIGHT	
3	90890-01229-00	GEAR HOLDING TOOL	
4	90890-01230-00	GEAR LASH TOOL	F
5	90890-01231-00	GEAR LASH TOOL	M
6	90890-01250-00	RING GEAR HOLDING TOOL	F
7	90890-01254-00	RING GEAR HOLDING TOOL CLAMP	F
8	90890-01257-00	DIAL INDICATOR STAND	
	90890-04012-00	DRIVE SHAFT PULLER	M

Middle Gear Case Capacity	375cc
Final Gear Case Capacity	300cc
Gear Case Lubricant: Temp above 5°C (40°F)	SAE 90 Hypoid Gear Oil GL-4
Temp below 15°C (60°F)	SAE 80 Hypoid Gear Oil GL-4
All Weather Conditions	SAE 80W90 Hypoid Gear Oil