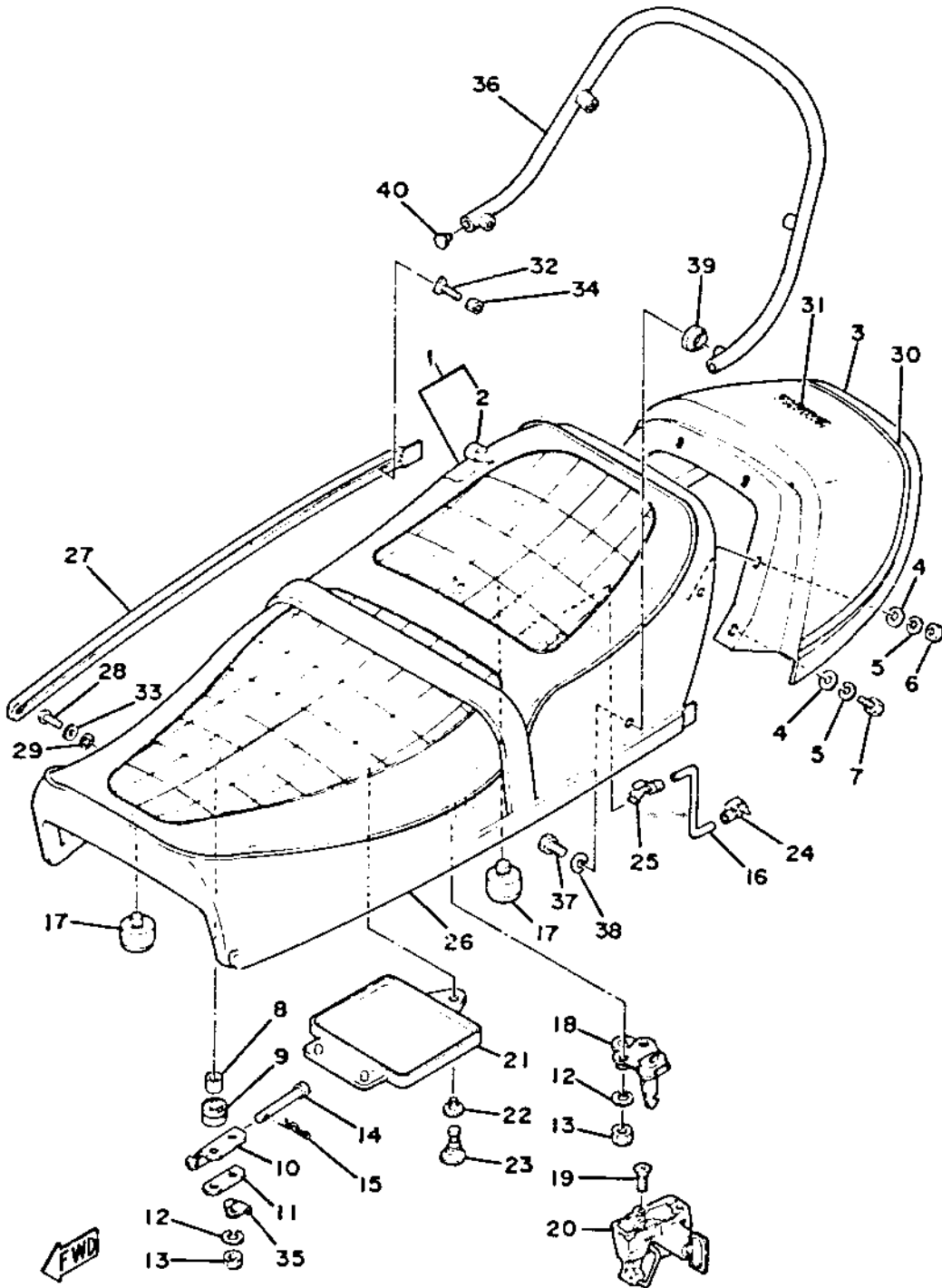


1	2F3-W2472-00-00	DOUBLE SEAT ASS'Y (2F3-24730-90)	1
2	2F3-24731-00-00	COVER, double seat	1
3	1T4-24756-00-H7	COVER, tail	1
	1T4-24756-00-H9	COVER, tail	1
4	92901-05700-00	WASHER, plain	6
5	92903-05100-00	WASHER, spring (92901-05100)	6
6	95301-05600-00	NUT, hexagon	4
7	97301-05014-00	BOLT, hexagon	2
8	90387-07390-00	COLLAR	4
9	1J7-24723-00-00	DAMPER	4
10	1J7-24728-00-00	HINGE, seat 1	2
11	1L9-24746-00-00	WASHER, seat hinge	2
12	92903-06100-00	WASHER, spring (92901-06100)	6
13	95301-06600-00	NUT, hexagon	6
14	91701-05055-00	PIN, clevis	2
15	90468-10050-00	CLIP (156-83525-00)	2
16	1J7-24768-00-00	STOPPER, seat	1
17	1T4-24741-00-00	PAD, seat	5
18	371-24728-02-00	BRACKET, seat (371-24728-01)	1
19	92706-06012-00	SCREW, flat head	2
20	584-24705-00-00	SEAT LOCK ASS'Y	1
21	341-28185-00-00	LID	1
22	90480-06007-00	GROMMET (341-28187-00)	1
23	341-28188-00-00	PLUNGER	1
24	1J7-24718-00-00	HOLDER, rod 1	1
25	1J7-24719-00-00	HOLDER, rod 2	1
26	1T4-24785-00-H7	MOLD, double seat left	1
	1T4-24785-00-H9	MOLD, double seat left	1
27	1T4-24785-10-H7	MOLD, double seat right	1
	1T4-24785-10-H9	MOLD, double seat right	1
28	1J7-24789-00-00	RIVET, seat mold	4
29	1J7-24735-00-00	SPEED NUT, seat mold	4



Ref. No.	Part Number	Description	Qty.
30	2F3-24757-20-00	GRAPHIC, tail cover.....	1
31	2F1-24786-00-00	EMBLEM, tail cover.....	1
32	1J7-24777-00-00	BOLT, special.....	4
33	1J7-24722-00-00	WASHER, special.....	4
34	95301-04600-00	NUT, hexagon.....	4
35	444-24768-00-00	STOPPER.....	2
36	1T4-24773-00-00	HANDLE, seat.....	1
37	97301-08014-00	BOLT, hexagon.....	4
38	92903-08100-00	WASHER, spring (92901-08100)....	4
39	1T4-24796-00-00	COVER.....	4
40	1T4-24742-00-00	GROMMET.....	2