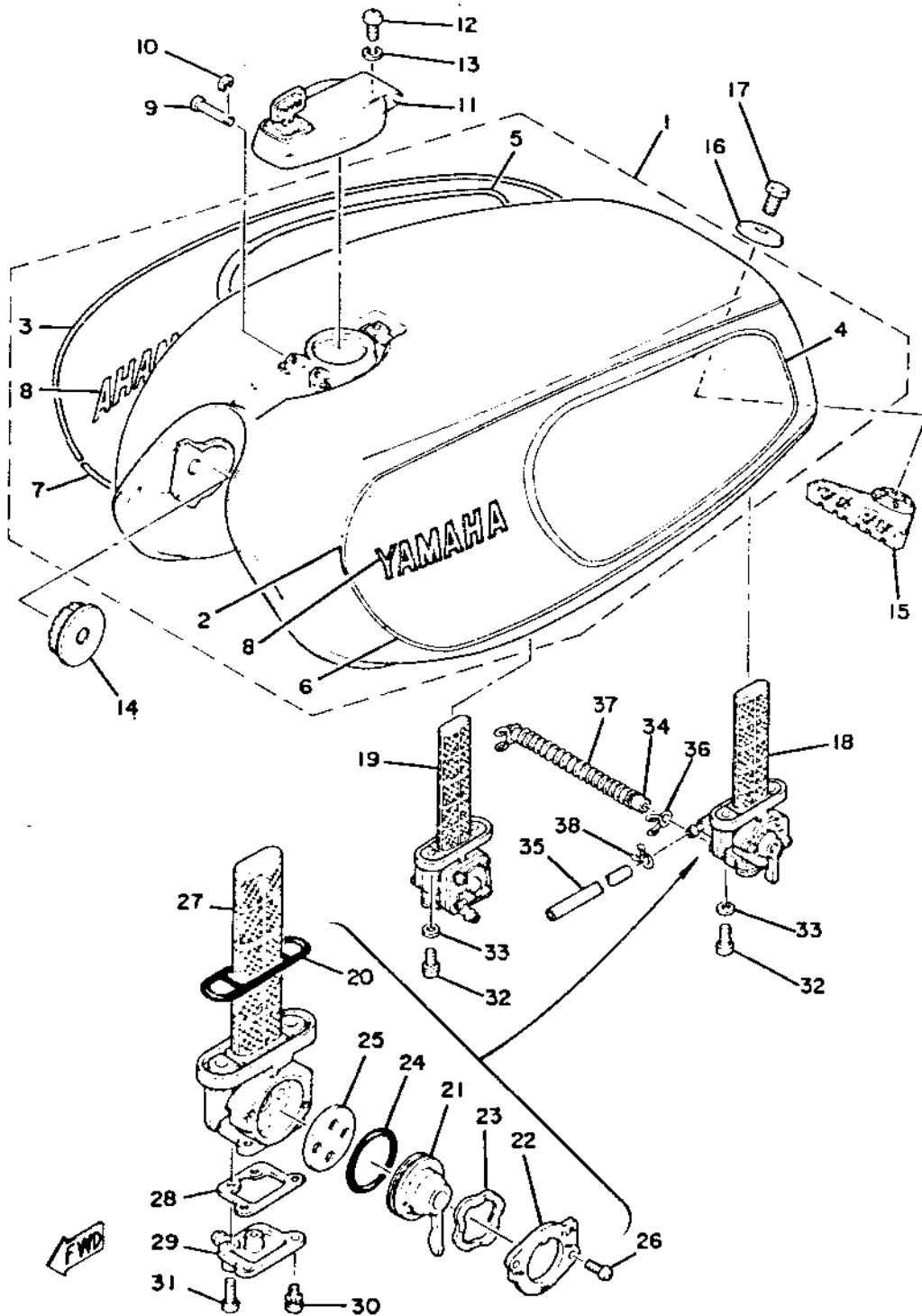


1	1J7-24110-00-07	FUEL TANK COMP.	1
	1J7-24110-00-08	FUEL TANK COMP.	1
2	2F3-24244-20-00	. GRAPHIC, fuel tank upper left	1
3	2F3-24247-20-00	. GRAPHIC, fuel tank upper right	1
4	2F3-24246-20-00	. GRAPHIC, fuel tank middle left	1
5	2F3-24249-20-00	. GRAPHIC, fuel tank middle right	1
6	2F3-24245-20-00	. GRAPHIC, fuel tank under left	1
7	2F3-24248-20-00	. GRAPHIC, fuel tank under right	1
8	2F3-24161-20-00	. EMBLEM, fuel tank	2
9	90249-03123-00	PIN	1
10	93430-02001-00	CIRCLIP (E-1.9)	1
11	584-24602-00-00	FUEL TANK CAP ASS'Y	1
12	98501-05010-00	SCREW, pan head (98503-05008) ...	1
13	92903-05100-00	WASHER, spring (92901-05100)	1
14	1J7-24181-01-00	DAMPER, locating 1.	2
15	1J7-24182-01-00	DAMPER, locating 2.	1
16	90209-08098-00	WASHER (341-83348-00)	1
17	97301-08012-00	BOLT, hexagon	1
18	2F3-24500-00-00	FUEL COCK ASS'Y, left	1
19	2F3-24510-00-00	FUEL COCK ASS'Y, right	1
20	1J7-24512-00-00	. GASKET, flange	2
21	1J7-24524-00-00	. LEVER, fuel cock left	1
	1J7-24524-10-00	. LEVER, fuel cock right	1
22	1J7-24525-00-00	. PLATE, lever fitting left.	1
	1J7-24525-10-00	. PLATE, lever fitting right.	1
23	1J7-24518-00-00	. SPRING, plate	2
24	1J7-24534-00-00	. SEAL, fuel cock	2
25	1J7-24523-00-00	. GASKET, fuel cock	2
26	98601-03010-00	. SCREW, oval head.	4
27	1J7-24514-02-00	. FILTER	2
28	1J7-24522-00-00	. GASKET, drain cover.	2
29	1J7-24521-00-00	. COVER, drain.	2



30	97601-04112-00	. SCREW, pan head with washer....	4
31	98601-04015-00	. SCREW, oval head.....	4
32	90149-06008-00	BOLT, cock connecting (366-24143-00)	4
33	90202-06010-00	WASHER, protector (178-14766-00)	4
34	90445-10133-00	PIPE, fuel(6-135)(824-24315-00)....	2
35	90445-07375-00	PIPE, vacuum (4.2-215).....	2
36	90467-09006-00	CLIP, pipe (806-24356-00).....	4
37	90504-06023-00	SPRING, compression	2
38	90467-07029-00	CLIP.....	4