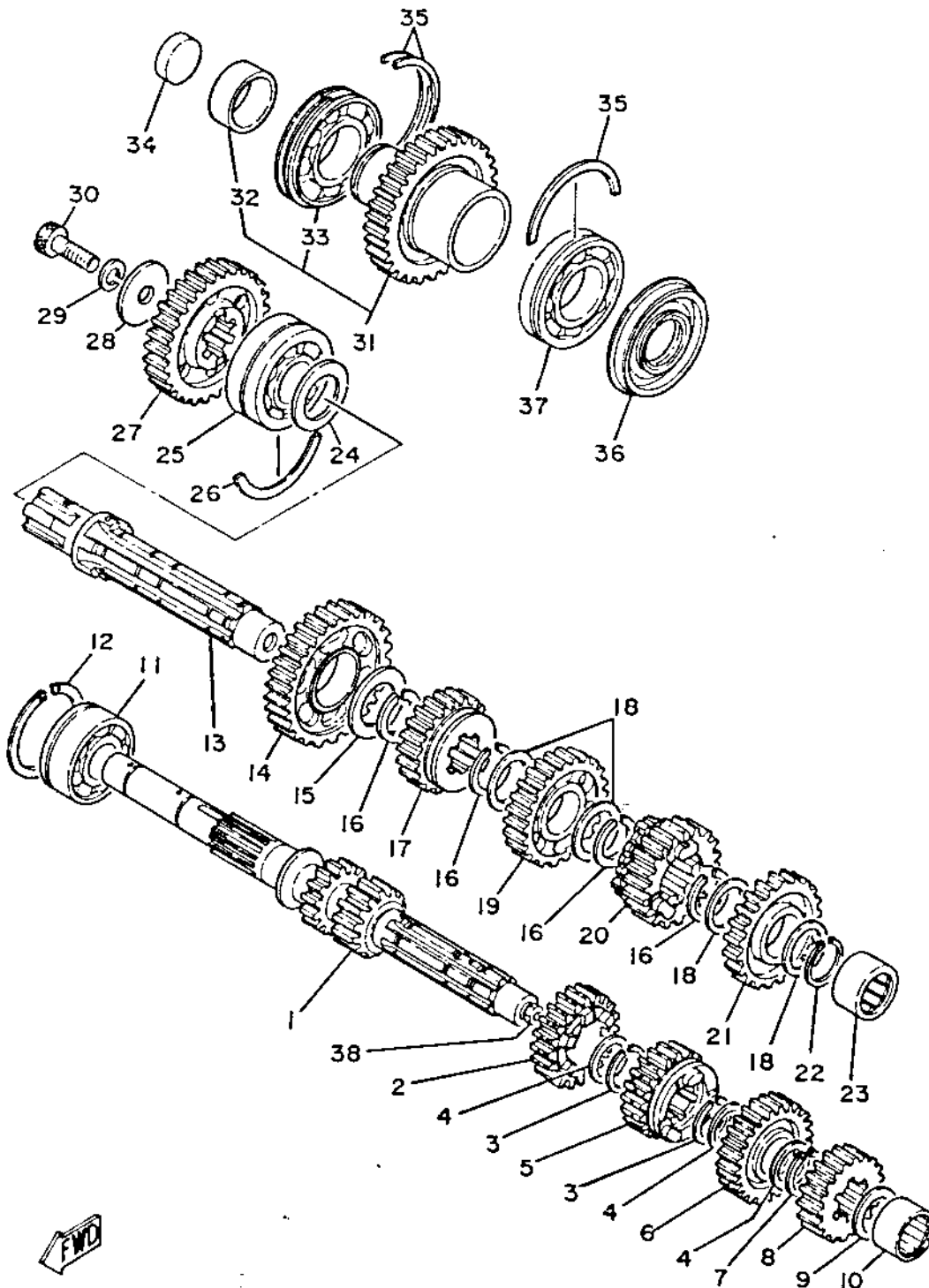


Ref. No.	Part Number	Description	Qty.
1	1J7-17411-02-00	AXLE, main (13T)	1
2	3J2-17141-00-00	GEAR, 4th pinion (21T)	1
3	93440-25020-00	CIRCLIP	2
4	90201-25287-00	WASHER, gear hold 5 (25.2-30-1.0)	3
5	3J2-17131-00-00	GEAR, 3rd pinion (20T)	1
6	1J7-17151-03-00	GEAR, 5th pinion (23T)	1
7	93410-25017-00	CIRCLIP (S-25)	1
8	256-17121-01-00	GEAR, 2nd pinion (17T)	1
9	137-17427-00-09	SHIM, drive axle (137-17427-00-10)	1
10	93311-32024-00	BEARING	1
11	93305-20504-00	BEARING (B5205 special)	1
12	93440-52014-00	CIRCLIP	1
13	1J7-17421-03-00	AXLE, drive	1
14	1J7-17211-02-00	GEAR, 1st wheel (32T)	1
15	90201-30602-00	WASHER, plate (30.2-40-2.0)	1
16	93440-30015-00	CIRCLIP	4
17	1J7-17241-03-00	GEAR, 4th wheel (23T)	1
18	1J7-17219-00-10	SHIM (30.2-34-1.0)	} U.R. 4
	1J7-17219-00-12	SHIM (30.2-34-1.2)	
19	1J7-17231-03-00	GEAR, 3rd wheel (26T)	1
20	1J7-17251-03-00	GEAR, 5th wheel (22T)	1
21	1J7-17221-03-00	GEAR, 2nd wheel (27T)	1
22	93410-30012-00	CIRCLIP (S-30)	1
23	93311-32425-00	BEARING	1
24	90201-30602-00	WASHER, plate (30.2-40-2.0)	1
25	93305-20602-00	BEARING (B5206 special)	1
26	93440-62046-00	CIRCLIP	1
27	2G2-17582-00-00	GEAR, middle drive (30T)	1
28	90201-10595-00	WASHER, plate	1
29	92903-10100-00	WASHER, spring (92901-10100)	1
30	91318-10030-00	BOLT, hexagon socket head	1
31	2F3-W1758-01-00	MIDDLE DRIVEN GEAR COMP. (35T)	1

Oil Pressure hot/rpm	2.0 kg/cm <sup>2</sup> @ 60°C / 1100rpm @ Oil Pres.
Oiling System	Wet Sump
Capacity: Dry	3500cc





32	90387-35544-00	COLLAR (35-40-16).....	1
33	93306-20707-00	BEARING (B6207 special) .....	1
34	90331-27013-00	PLUG .....	1
35	93440-72049-00	CIRCLIP .....	5
36	93103-35105-00	OIL SEAL (MHSD-35-72-9F) .....	1
37	93306-20705-00	BEARING (B6207N) .....	1
38	90380-08059-00	BUSHING.....	1

Oiling System	Wet Sump
Capacity: Dry	3500cc
Oil and Filter Change	3100cc
Oil Change	2800cc
Lubricant: Temp above 5°C (40°F)	Yamalube 4* or SAE 20W40S
Below 15°C (60°F)	SAE 10W30SE Motor Oil

FWD