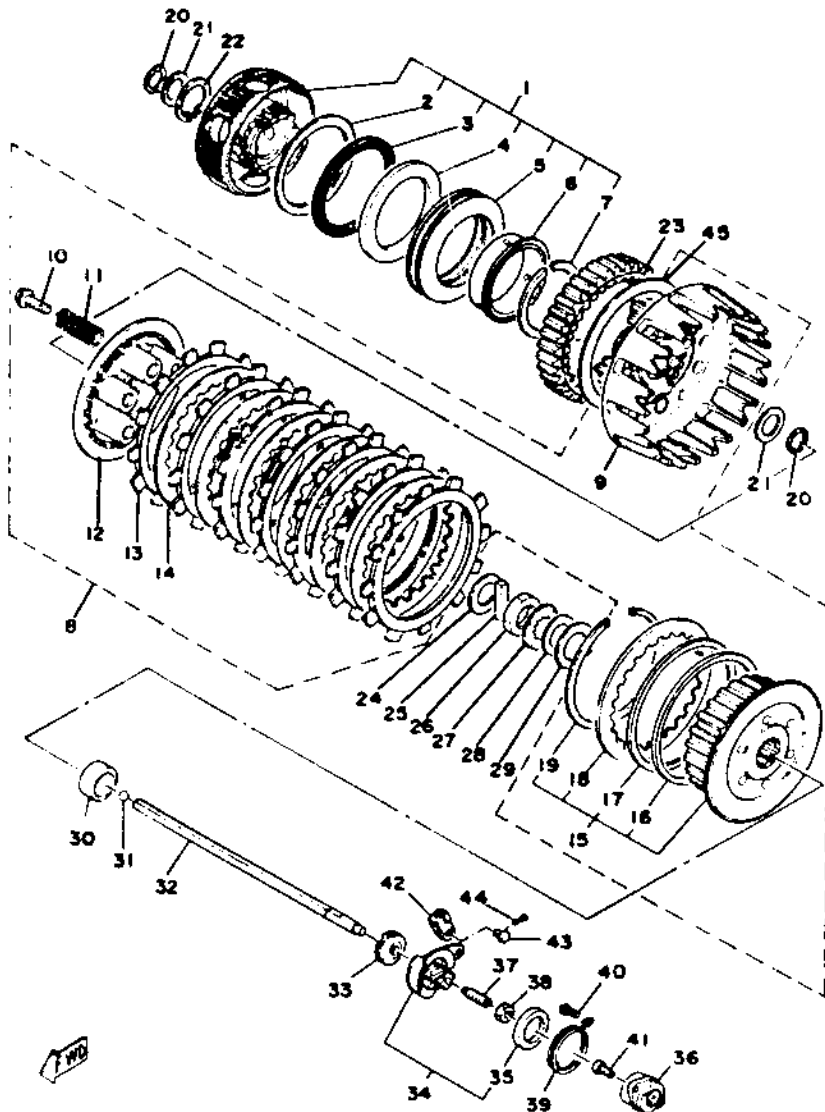
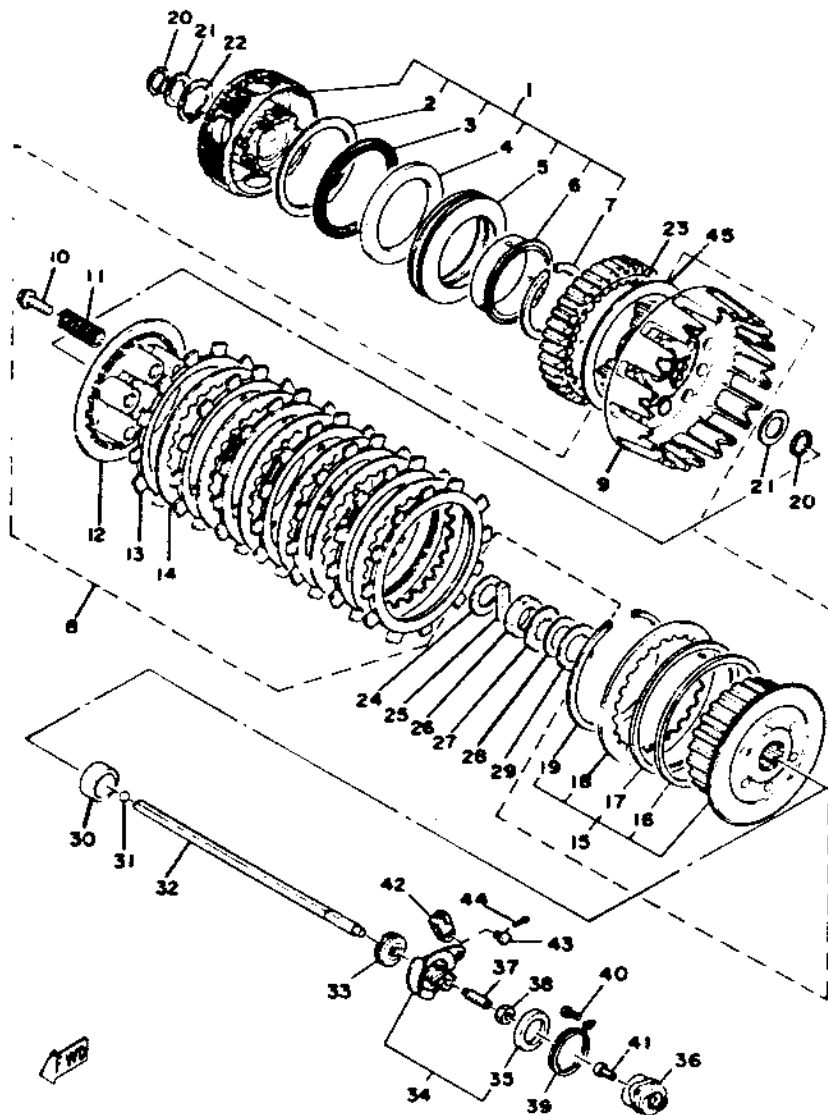


CLUTCH



Ref. No.	Part Number	Description	Qty.
1	2F3-16306-01-00	CLUTCH DAMPER ASS'Y.....	1
2	90201-76604-00	WASHER, plate (76-95-0.8)...	1
3	93340-27601-00	BEARING.....	1
4	90201-69603-00	WASHER, plate (69-95-5.4)...	1
5	1J7-16318-00-00	SPRING, damper.....	1
6	90387-64672-00	COLLAR.....	1
7	93440-64047-00	CIRCLIP.....	1
8	1T5-16301-02-00	CLUTCH ASS'Y.....	1
9	1J7-16310-03-00	CLUTCH HOUSING COMP. (1J7-16310-02).....	1
10	90159-06010-00	SCREW, crossrecess hexagon	6
11	90501-23142-00	SPRING, compression (256-16333-00).....	6
12	1J7-16351-00-00	PLATE, pressure.....	1
13	383-16321-00-00	PLATE, friction.....	7
14	168-16325-00-00	PLATE, clutch 1.....	6
15	1T5-16370-00-00	CLUTCH BOSS ASS'Y.....	1
16	1J7-16384-00-00	PLATE, seat.....	1
17	1J7-16383-01-00	SPRING, clutch boss.....	1
18	168-16325-00-00	PLATE, clutch 2.....	1
19	1J7-16385-00-00	CIRCLIP.....	1
20	93410-20009-00	CIRCLIP (S-20).....	2
21	90201-21599-00	WASHER, plate (21.2-29-2)....	2
22	93440-31068-00	CIRCLIP.....	1
23	2F3-16151-00-00	GEAR, primary driven (45T)....	1

CLUTCH



Ref. No.	Part number	Description	Qty.
24	90201-22625-00	WASHER, plate (22-36-2.6)	1
25	1J7-16356-01-00	ROD, push 1.	1
26	90170-24203-00	NUT, hexagon	1
27	90215-21130-00	WASHER, lock.	1
28	90208-25021-00	WASHER, conical spring	1
29	90201-25291-00	WASHER, plate (25.2-39-1.0) (371-11558-00)	1
30	90560-25160-00	SPACER	1
31	93505-16006-00	BALL (5/16 inch)	1
32	1J7-16357-01-00	ROD, push	1
33	93102-08193-00	OIL SEAL (SD-8-25-6-L HS) (93102-08181)	1
34	1J7-16340-01-00	PUSH LEVER ASS'Y.	1
35	214-16347-01-00	SEAL dust	1
36	1J7-16304-00-00	BALL SCREW HOUSING ASS'Y	1
37	90113-08021-00	SCREW, adjusting (256-16343-01)	1
38	90179-08179-00	NUT, adjusting.	1
39	90508-18313-00	SPRING, torsion	1
40	132-16348-00-00	HOOK, spring.	1
41	98503-05012-00	SCREW, pan head.	2
42	1J7-16389-00-00	JOINT	1
43	90240-06005-00	PIN (2*4-16379-00)	1
44	91401-10010-00	PIN, cotter	1
45	90201-90033-00	WASHER (101-116-0.5).	1