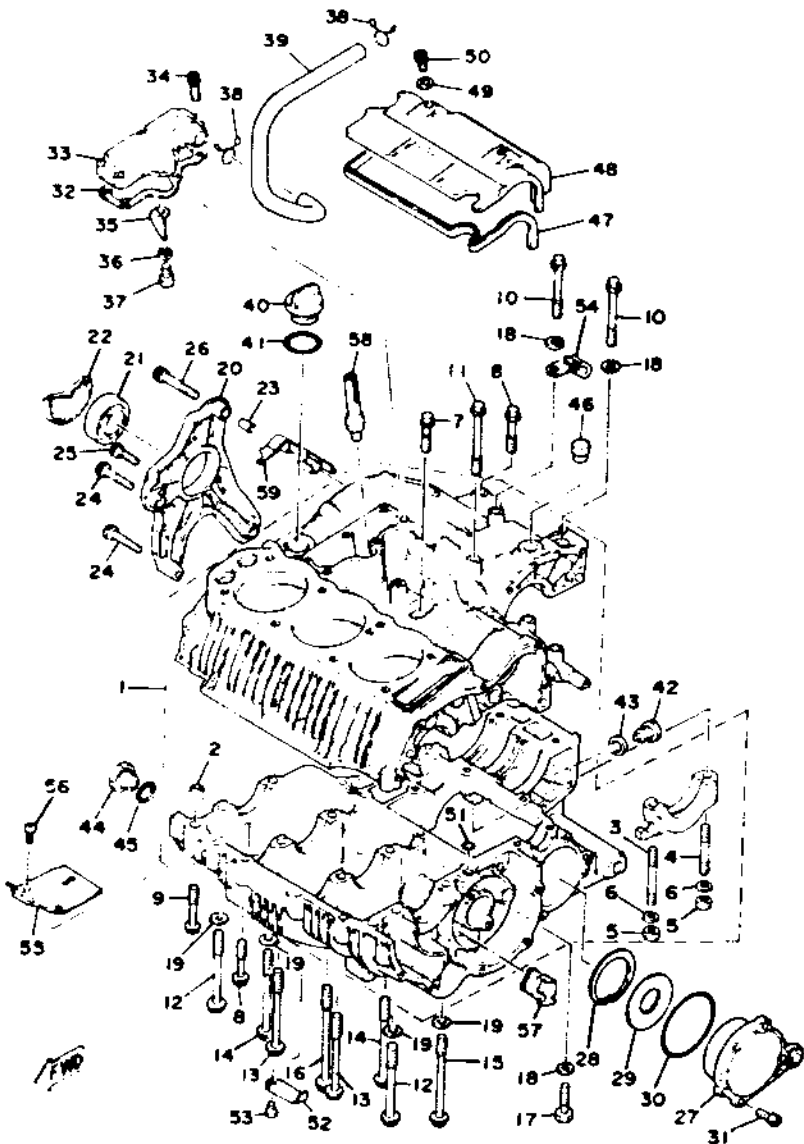
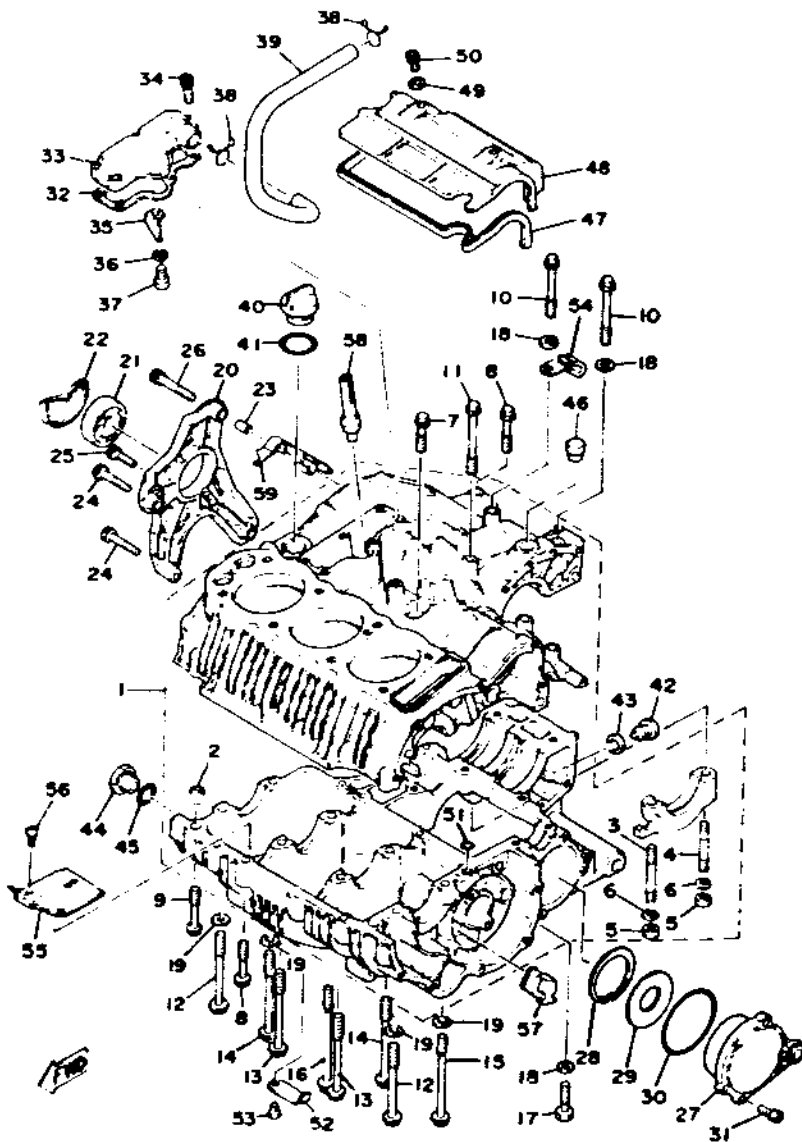


# CRANKCASE



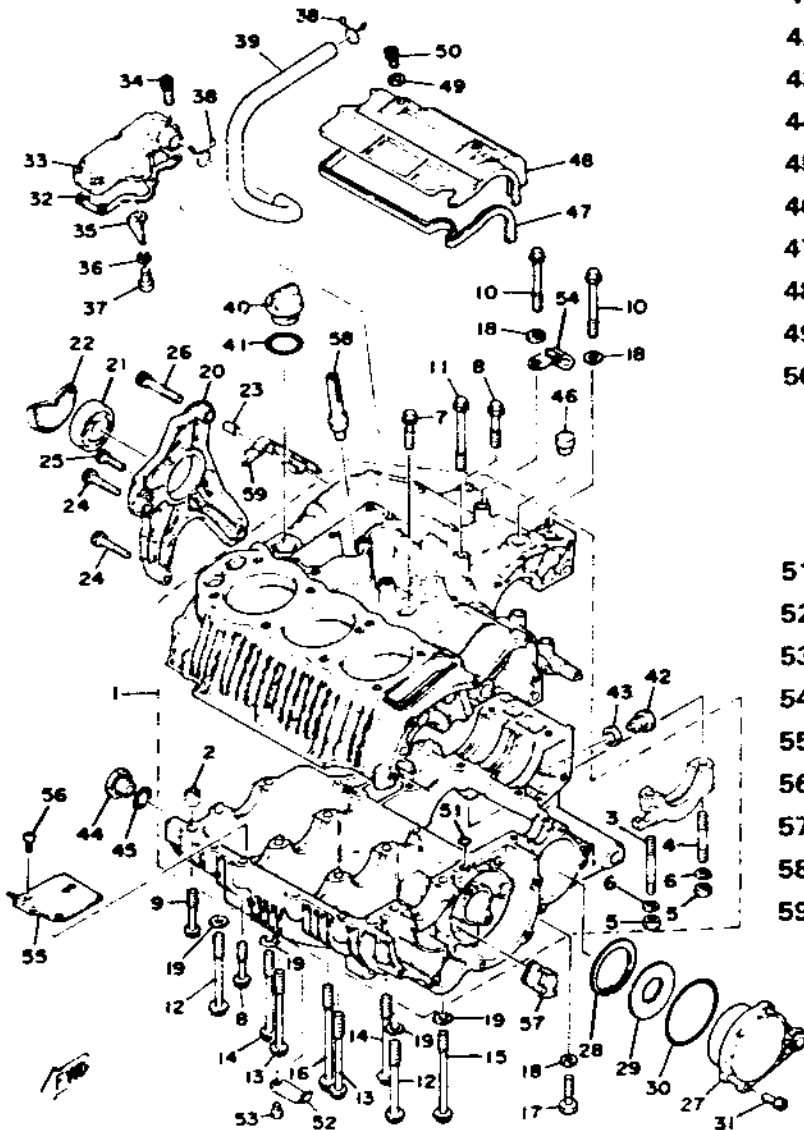
Ref. No.	Part Number	Description	Qty.	Remarks
1	1J7-15100-01-00	CRANKCASE ASS'Y	1	
2	91830-22016-00	PIN, dowel (12-8.4-16) (91810-05016)	2	
3	90116-08229-00	BOLT, stud	1	M8-74.5L
4	90116-08230-00	BOLT, stud	1	M8-64L
5	95303-08600-00	NUT	2	
6	90201-08382-00	WASHER, plate	2	
7	95821-08035-00	BOLT, flange	1	
8	95821-08045-00	BOLT, flange	11	
9	95821-08050-00	BOLT, flange	1	
10	95821-08075-00	BOLT, flange	3	
	2F3-00000-20-00	GASKET KIT		See Grid H-1 for Kit Component Parts
11	95821-08085-00	BOLT, flange	1	
12	95821-10095-00	BOLT, flange	2	
13	95821-10100-00	BOLT, flange	2	
14	95821-10105-00	BOLT, flange	2	
15	95821-10115-00	BOLT, flange	1	
16	95821-10125-00	BOLT, flange	1	
17	97321-08040-00	BOLT	1	
18	90201-08382-00	WASHER, plate	3	
19	90201-10128-00	WASHER, plate (341-83909-00)	4	
20	1J7-15442-00-00	HOUSING, bearing	1	

# CRANKCASE



Ref. No.	Part Number	Description	Qty.	Remarks
21	93306-30418-00	BEARING (B6304).....	1	
22	2F3-15449-01-00	RING, rubber.....	1	
23	91830-21014-00	PIN, dowel (8.5-10-15).....	2	
24	91316-08040-00	BOLT, hexagon socket head....	2	
25	91316-08025-00	BOLT, hexagon socket head....	1	
26	91316-08050-00	BOLT, hexagon socket head....	1	
27	1J7-15164-03-00	HOUSING, bearing.....	1	
28	93420-65052-00	CIRCLIP.....	1	
29	90201-31662-00	WASHER, plate.....	1	
30	93210-71315-00	O-RING (1.9-71).....	1	
	2F3-00000-20-00	GASKET KIT.....		See Grid H-1 for Kit Component Parts
31	91316-06020-00	BOLT, hexagon socket head....	4	
32	1J7-11169-00-00	GASKET, breather.....	1	
33	2F3-11168-00-00	COVER, breather.....	1	
34	91316-06025-00	BOLT, hexagon socket head....	6	
35	1J7-11165-00-00	PLATE, breather.....	1	
36	92903-06100-00	WASHER, spring.....	1	
37	92503-06015-00	SCREW, pan head.....	1	
38	90467-14015-00	CLIP.....	2	
39	2F3-11166-00-00	PIPE, breather.....	1	
40	2F3-15363-00-00	PLUG, oil level.....	1	

# CRANKCASE



Ref. No.	Part Number	Description	Qty.	Remarks
41	93210-29198-00	O-RING (3.1-29.4).....	1	
42	90340-14042-00	PLUG, straight screw.....	1	
43	214-11198-01-00	GASKET.....	1	
44	90401-18042-00	BOLT, union.....	1	
45	93210-18319-00	O-RING (2.2-18).....	1	
46	2H7-17590-09-00	BREATHER COMP.....	1	
47	1J7-15446-00-00	SEAL, starting motor cover.....	1	
48	1J7-15436-00-00	COVER, starting motor.....	1	
49	92906-06200-00	WASHER, plain.....	2	
50	91316-06012-00	BOLT, hexagon socket head.....	2	
	2F3-00000-20-00	GASKET KIT.....		See Grid H-1 for Kit Component Parts
51	93210-09350-00	O-RING (1.9-8.8).....	1	
52	90465-08112-00	CLAMP, harness (1J7-81666-00)	3	
53	97301-06010-00	BOLT.....	3	
54	90465-08017-00	CLAMP.....	1	
55	2F3-15123-00-00	PLATE, baffle.....	3	
56	90167-05002-00	SCREW, pan head tapping.....	9	
57	2F3-15167-00-00	PLUG, blind.....	1	
58	2F3-15358-20-00	SEPARATOR, oil.....	1	
59	2F3-15432-09-00	COLLECTOR, oil (2F3-15432-00)	1	