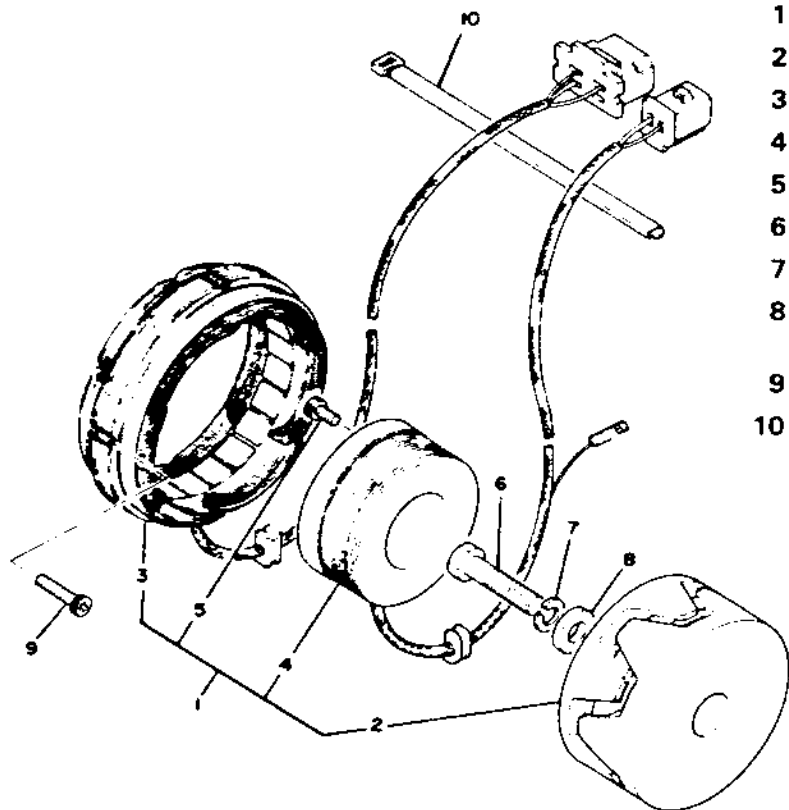


# A. C. GENERATOR



| Ref. No. | Part Number     | Description                                       | Qty. |
|----------|-----------------|---|------|
| 1        | 1J7-81600-50-00 | A. C. GENERATOR ASS'Y.....                        | 1    |
| 2        | 1J7-81650-10-00 | . ROTOR COMP.....                                 | 1    |
| 3        | 1J7-81610-50-00 | . STATOR ASS'Y.....                               | 1    |
| 4        | 1J7-81660-10-00 | . FIELD COIL ASS'Y.....                           | 1    |
| 5        | 91316-06012-00  | . BOLT, hexagon socket head... 3                  |      |
| 6        | 90101-10188-00  | BOLT .....  | 1    |
| 7        | 92903-10100-00  | WASHER, spring .....                              | 1    |
| 8        | 90201-10508-00  | WASHER, plate (10.1-24-5)<br>(341-81663-01) ..... | 1    |
| 9        | 91316-06030-00  | BOLT, hexagon socket head ....                    | 4    |
| 10       | 341-26397-01-00 | BAND .....  | 2    |