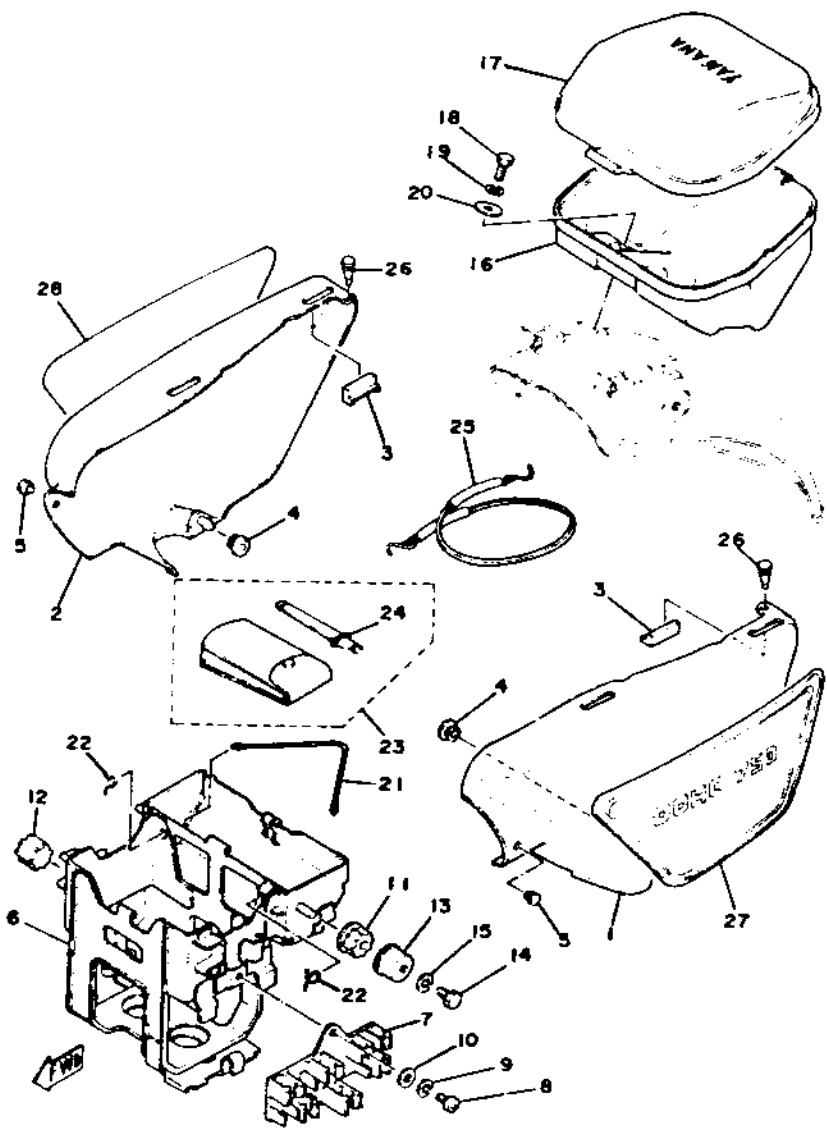
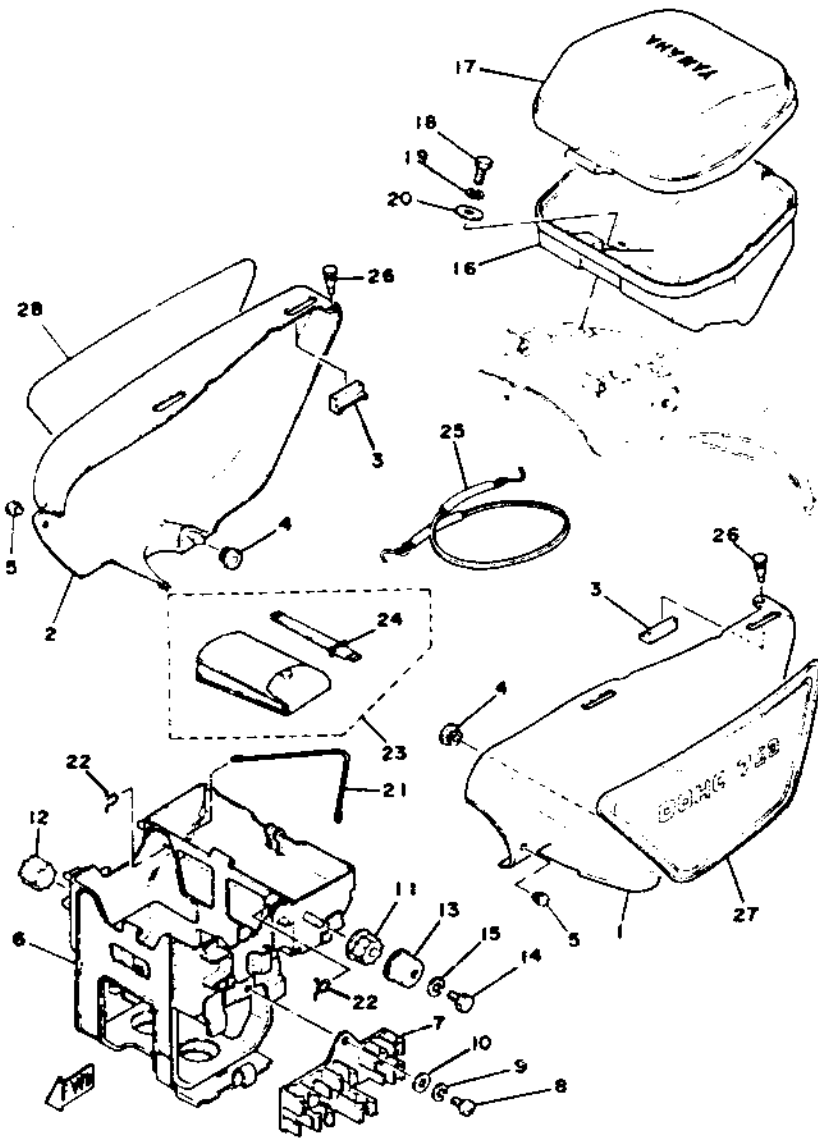


SIDE COVER - BATTERY BOX



Ref. No.	Part Number	Description	Qty.	Remarks
1	2F3-21711-00-E9	COVER, side left	1	Carmine Red
	2F3-21711-00-20	COVER, side left	1	Crystal Silver
2	2F3-21721-00-E9	COVER, side right	1	Carmine Red
	2F3-21721-00-20	COVER, side right	1	Crystal Silver
3	360-21717-01-00	DAMPER, side cover	4	
4	90480-01141-00	GROMMET (371-21747-00)	2	
5	1J7-21717-00-00	DAMPER, side cover	2	
6	2F3-21170-00-00	BOX COMP.	1	
7	1J7-21794-00-00	HOLDER, coupler	1	
8	92503-06012-00	SCREW, pan head	1	
9	92903-06100-00	WASHER, spring	1	
10	92901-06600-00	WASHER, plate	1	
11	1J7-21746-00-00	DAMPER, battery box	2	
12	256-21729-00-00	DAMPER, front	2	
13	1J7-21798-00-00	BRACKET, damper	2	
14	97301-06010-00	BOLT, hexagon	2	
15	92903-06100-00	WASHER, spring	2	
16	1T4-2177A-00-00	BOX	1	
17	1T4-2177E-00-00	LID	1	

SIDE COVER - BATTERY BOX



Ref. No.	Part Number	Description	Qty.	Remarks
18	97301-06016-00	BOLT, hexagon (97301-06015)	2	
19	92903-06100-00	WASHER, spring	2	
20	90201-06552-00	WASHER, plate	2	
21	256-21376-00-00	BAND, tool	1	
22	256-21366-00-00	HOOK, tool band	2	
23	2F3-28100-10-00	TOOL ASS'Y (1J7-28100-10)	1	
24	1J7-2815A-00-00	GAUGE, oil level	1	For Middle and Final Gear Case
25	1T4-2814A-00-00	WIRE, tool	1	
26	90480-05201-00	GROMMET	2	
27	2F3-21781-00-00	EMBLEM, side cover left	1	for Carmine Red
	2F3-21781-10-00	EMBLEM, side cover left	1	for Crystal Silver
28	2F3-21782-00-00	EMBLEM, side cover right	1	for Carmine Red
	2F3-21782-10-00	EMBLEM, side cover right	1	for Crystal Silver