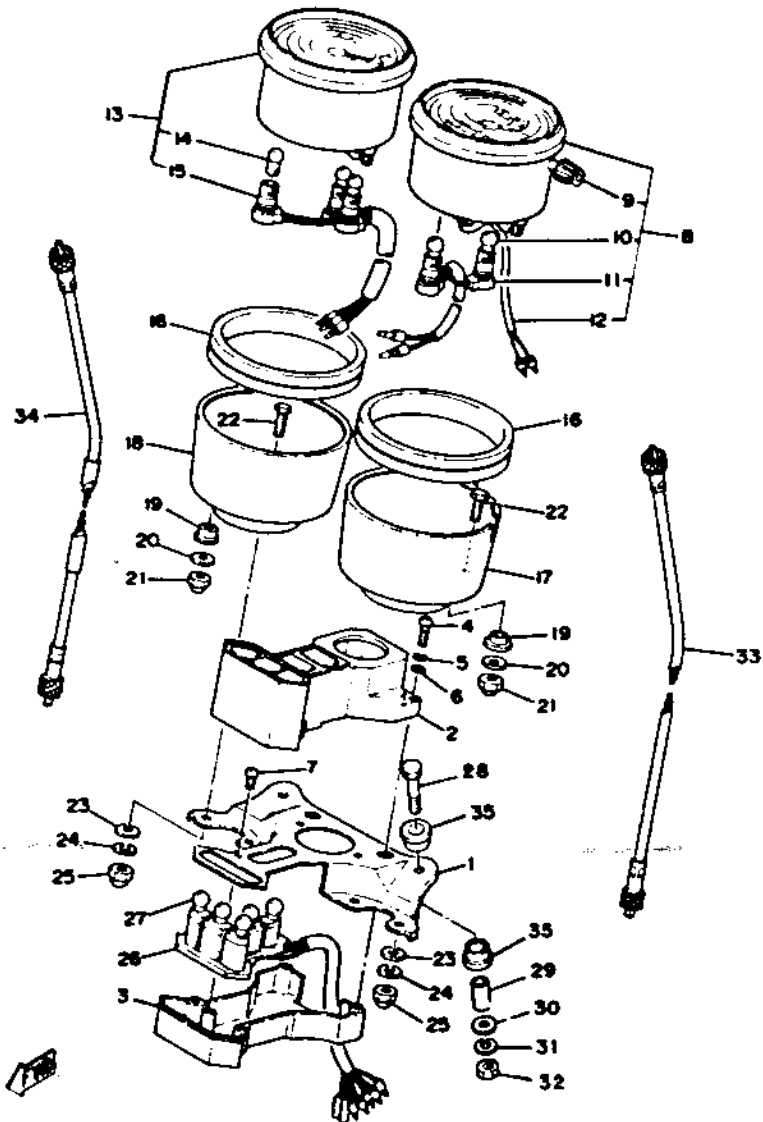
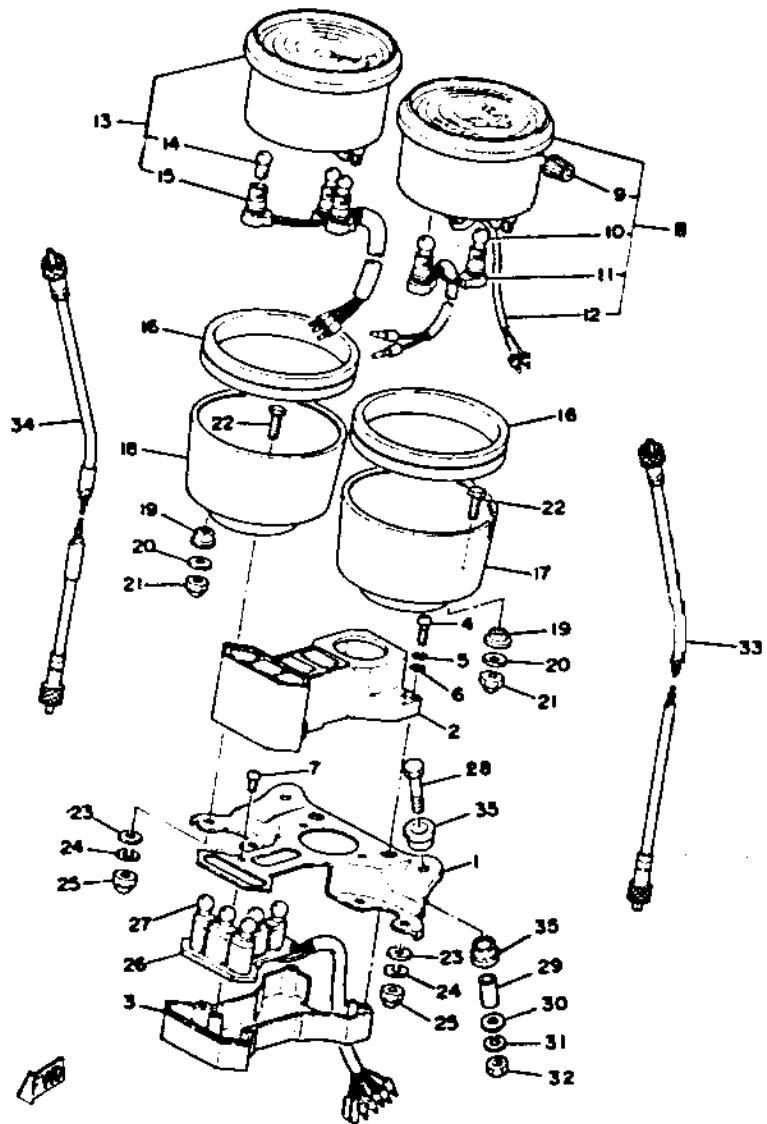


SPEEDOMETER – TACHOMETER



| Ref. No. | Part Number | Description | Qty. |
|----------|-----------------|------------------------------|------|
| 1 | 1J3-83519-00-00 | BRACKET, meter..... | 1 |
| 2 | 1J7-83568-71-00 | PILOT BOX, upper..... | 1 |
| 3 | 1J3-83569-71-00 | PILOT BOX, under..... | 1 |
| 4 | 98506-04020-00 | SCREW, pan head..... | 4 |
| 5 | 92906-04100-00 | WASHER, spring..... | 4 |
| 6 | 92906-04600-00 | WASHER, plate..... | 4 |
| 7 | 98501-05010-00 | SCREW, pan head..... | 1 |
| 8 | 1J3-83570-71-00 | SPEEDOMETER ASS'Y..... | 1 |
| 9 | 584-83578-71-00 | . KNOB, trip meter..... | 1 |
| 10 | 123-83516-21-00 | . BULB (12V-3.4W)..... | 2 |
| 11 | 584-83536-01-00 | . SOCKET CORD ASS'Y 1..... | 1 |
| 12 | 1J3-83556-01-00 | . SOCKET CORD ASS'Y 4..... | 1 |
| 13 | 2F3-83540-00-00 | TACHOMETER ASS'Y..... | 1 |
| 14 | 123-83516-21-00 | . BULB (12V-3.4W)..... | 3 |
| 15 | 1J3-83520-01-00 | . SOCKET CORD ASS'Y 3..... | 1 |
| 16 | 3H3-83513-00-00 | DAMPER, meter (584-83513-01) | 2 |
| 17 | 584-83507-00-00 | COVER, speedometer..... | 1 |
| 18 | 584-83508-00-00 | COVER, tachometer..... | 1 |

SPEEDOMETER - TACHOMETER



| Ref. No. | Part Number | Description | Qty. |
|----------|-----------------|---------------------------|------|
| 19 | 584-83523-00-00 | DAMPER..... | 4 |
| 20 | 92901-05200-00 | WASHER, plain..... | 4 |
| 21 | 95301-05800-00 | NUT, crown..... | 4 |
| 22 | 584-83546-00-00 | BOLT..... | 4 |
| 23 | 92903-06200-00 | WASHER, plain..... | 4 |
| 24 | 92903-06100-00 | WASHER, spring..... | 4 |
| 25 | 95301-06800-00 | NUT, crown..... | 4 |
| 26 | 1J7-83509-70-00 | SOCKET CORD ASS'Y 2..... | 1 |
| 27 | 123-83516-21-00 | BULB (12V-3.4W)..... | 5 |
| 28 | 97306-06040-00 | BOLT..... | 2 |
| 29 | 90387-06249-00 | COLLAR..... | 2 |
| 30 | 90201-06067-00 | WASHER (90201-06380)..... | 2 |
| 31 | 92903-06100-00 | WASHER, spring..... | 2 |
| 32 | 95301-06600-00 | NUT, hexagon..... | 2 |
| 33 | 1J7-83550-01-00 | SPEEDOMETER CABLE ASS'Y | 1 |
| 34 | 1J7-83560-01-00 | TACHOMETER CABLE ASS'Y... | 1 |
| 35 | 584-83541-00-00 | DAMPER, meter..... | 4 |