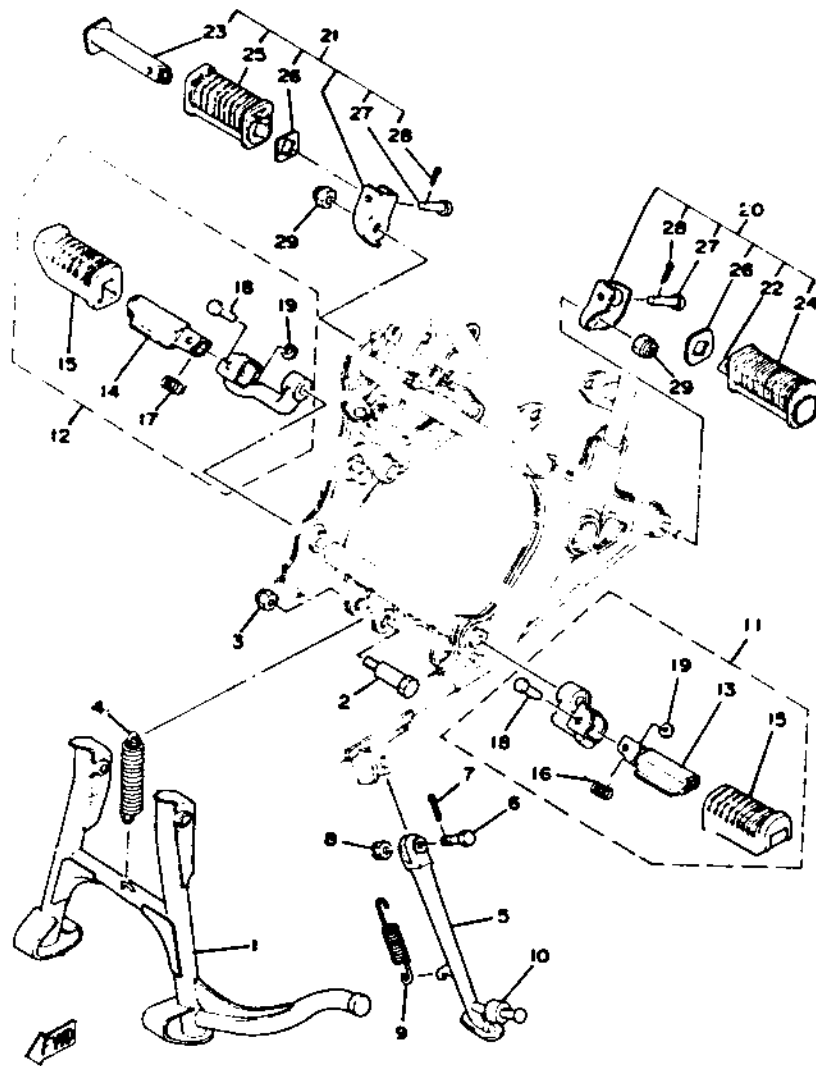
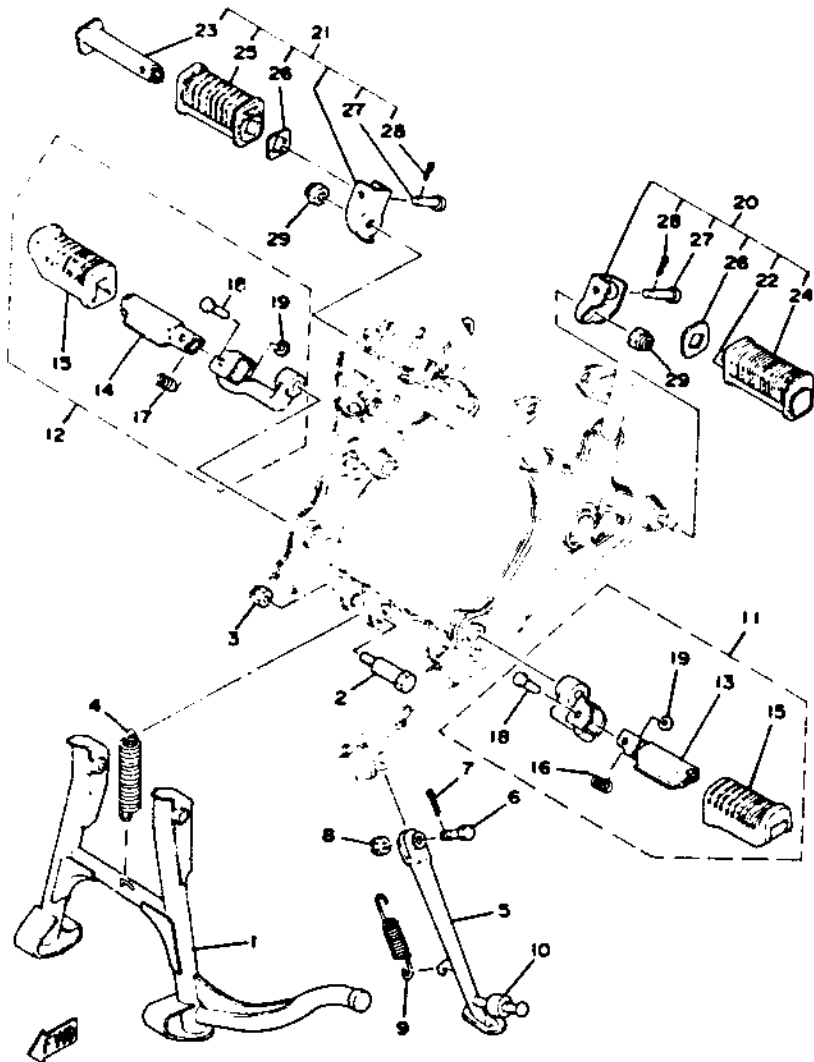


STAND-FOOTREST



Ref. No.	Part Number	Description	Qty.
1	1T4-27111-01-00	STAND, main.....	1
2	90109-10440-00	BOLT.....	2
3	95601-10100-00	NUT, U.....	2
4	90506-40145-00	SPRING, tension.....	1
5	1J7-27311-01-00	STAND, side.....	1
6	90102-10006-00	BOLT, side stand (278-27317-00)	1
7	91490-20025-00	PIN, cotter.....	1
8	90171-10012-00	NUT, castle.....	1
9	90506-28146-00	SPRING, tension.....	1
10	1T4-27314-00-00	STOPPER, side stand.....	1
11	1J7-27410-02-00	FRONT FOOTREST ASS'Y, left. ...	1
12	1J7-27420-02-00	FRONT FOOTREST ASS'Y, right	1
13	1J7-27451-00-00	. FOOTREST, front left.....	1
14	1J7-27461-00-00	. FOOTREST, front right.....	1
15	1J7-27413-01-00	. COVER, footrest.....	2



Ref. No.	Part Number	Description	Qty.
16	90508-20154-00	. SPRING, torsion (371-27426-00)	1
17	90508-20155-00	. SPRING, torsion (371-27456-00)	1
18	90243-08006-00	. PIN (214-27418-00).....	2
19	90201-06042-00	. WASHER, plate (214-27417-00)	2
20	1T4-27430-00-00	REAR FOOTREST ASS'Y, left ...	1
21	1T4-27440-00-00	REAR FOOTREST ASS'Y, right ...	1
22	447-27431-00-00	. FOOTREST, rear left	1
23	447-27441-00-00	. FOOTREST, rear right	1
24	1J7-27433-00-00	. COVER, rear footrest left	1
25	1J7-27444-00-00	. COVER, rear footrest right	1
26	90209-18070-00	. WASHER (447-27437-00)	2
27	91701-06035-00	. PIN, clavis.....	2
28	91401-16015-00	. PIN, cotter.....	2
29	90185-12046-00	NUT, U	2