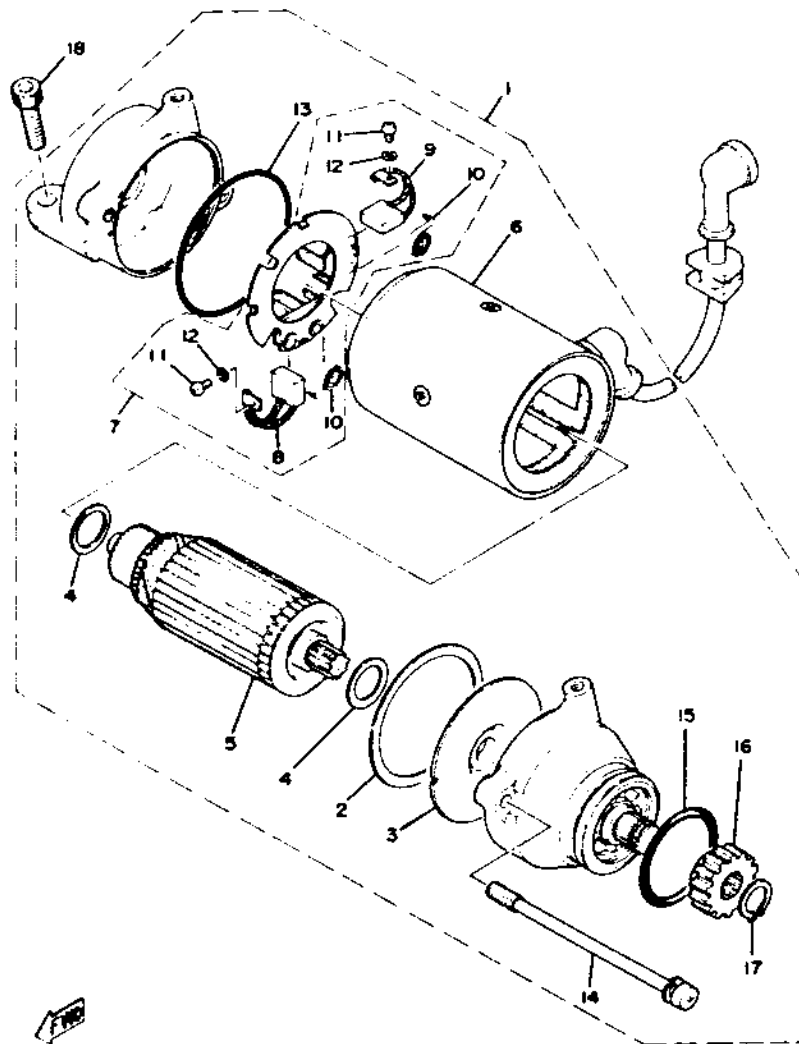
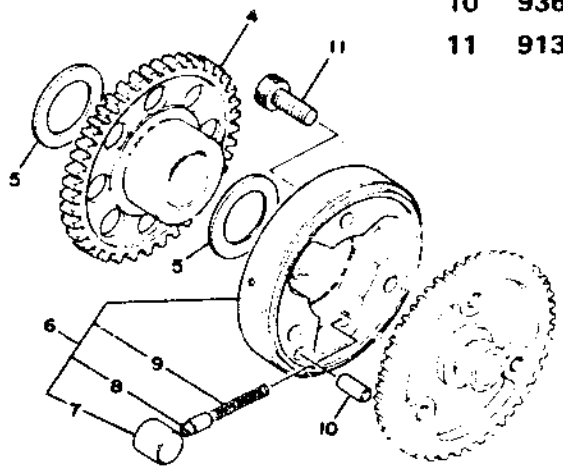
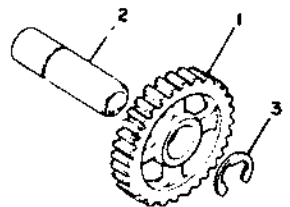


STARTING MOTOR



Ref. No.	Part Number	Description	Qty.
1	1J7-81800-60-00	STARTING MOTOR ASS'Y	1
2	371-81844-20-00	GASKET	1
3	371-81845-20-00	PLATE	1
4	371-81809-20-00	WASHER KIT	1
5	371-81850-20-00	ARMATURE ASS'Y	1
6	1J7-81810-60-00	STATOR ASS'Y	1
7	1J7-81840-60-00	BRUSH HOLDER ASS'Y	1
8	371-81811-20-00	BRUSH (+)	1
9	371-81812-20-00	BRUSH (-)	1
10	371-81813-20-00	SPRING, brush	2
11	98501-03008-00	SCREW, pan head	2
12	92901-03100-00	WASHER, spring	2
13	371-81847-20-00	O-RING	1
14	1J7-81826-60-00	BOLT	2
15	1J7-81847-60-00	O-RING (3.1-39.4)	1
16	1J7-15511-00-00	GEAR (13T)	1
17	93410-12003-00	CIRCLIP (S-12)	1
18	91311-08025-00	BOLT, hexagon socket head	2

STARTING MOTOR UNIT



Ref. No.	Part Number	Description	Qty.
1	1J7-15512-01-00	GEAR, kick idler 1 (28T)	1
2	1J7-15521-00-00	SHAFT, kick idler gear	1
3	93430-15023-00	CIRCLIP (E-15)	1
4	1J7-15517-01-00	GEAR, kick idler 2 (47T)	1
5	90201-25291-00	WASHER, plate (25.2-39-1.0) (371-11558-00)	2
6	1J7-15580-01-00	STARTER CLUTCH OUTER ASS'Y (1J7-15580-00)	1
7	93615-17125-00	PIN, dowel (15-16.9)	3
8	1J7-15583-01-00	CAP, starter clutch spring (1J7-15583-00)	3
9	90501-03298-00	SPRING, compression (341-15584-03)	3
10	93606-14081-00	PIN, dowel	1
11	91316-08020-00	BOLT, hexagon socket head	3