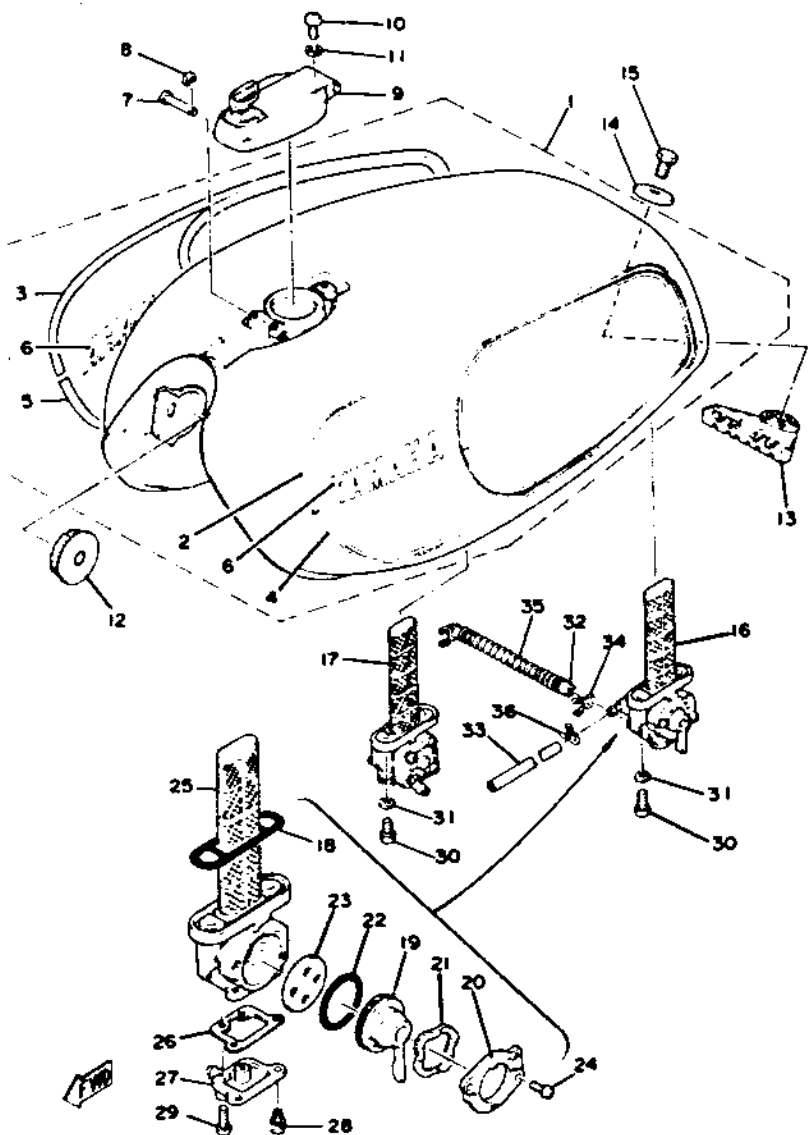
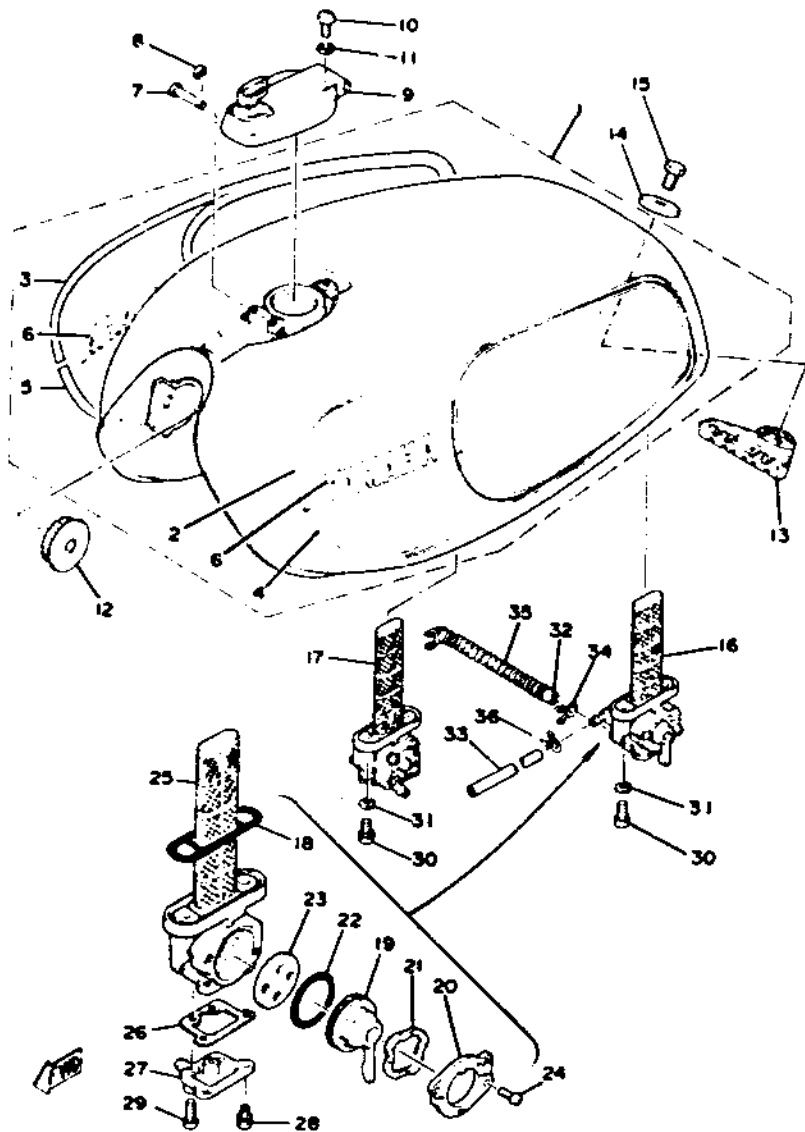


FUEL TANK



Ref. No.	Part Number	Description	Qty.	Remarks
1	1J7-24110-00-04	FUEL TANK COMP.	1	Carmine Red
	1J7-24110-00-05	FUEL TANK COMP.	1	Crystal Silver
2	2F3-24244-00-00	. GRAPHIC, fuel tank upper left	1	for Carmine Red
	2F3-24244-10-00	. GRAPHIC, fuel tank upper left	1	for Crystal Silver
3	2F3-24246-00-00	. GRAPHIC, fuel tank upper right	1	for Carmine Red
	2F3-24246-10-00	. GRAPHIC, fuel tank upper right	1	for Crystal Silver
4	2F3-24245-00-00	. GRAPHIC, fuel tank under left	1	for Carmine Red
	2F3-24245-10-00	. GRAPHIC, fuel tank under left	1	for Crystal Silver
5	2F3-24247-00-00	. GRAPHIC, fuel tank under right	1	for Carmine Red
	2F3-24247-10-00	. GRAPHIC, fuel tank under right	1	for Crystal Silver
6	1E5-92592-80-00	. EMBLEM, fuel tank	2	for Carmine Red
	1K8-24161-00-00	. EMBLEM, fuel tank	2	for Crystal Silver
7	90249-03123-00	PIN	1	
8	93430-02001-00	CIRCLIP (E-1.9).....	1	
9	584-24602-00-00	FUEL TANK CAP ASS'Y.....	1	
10	98501-05010-00	SCREW, pan head (98503-05008)	1	
11	92903-05100-00	WASHER, spring.....	1	
12	1J7-24181-01-00	DAMPER, locating 1.....	2	
13	1J7-24182-01-00	DAMPER, locating 2.....	1	
14	90209-08098-00	WASHER (341-83348-00).....	1	
15	97301-08012-00	BOLT, hexagon	1	
16	2F3-24500-00-00	FUEL COCK ASS'Y, left.....	1	

FUEL TANK



Ref. No.	Part Number	Description	Qty.
17	2F3-24510-00-00	FUEL COCK ASS'Y, right.	1
18	1J7-24512-00-00	. GASKET, flange	2
19	1J7-24524-00-00	. LEVER, fuel cock left.	1
	1J7-24524-10-00	. LEVER, fuel cock right	1
20	1J7-24525-00-00	. PLATE, lever fitting left.	1
	1J7-24525-10-00	. PLATE, lever fitting right.	1
21	1J7-24518-00-00	. SPRING, plate	2
22	1J7-24534-00-00	. SEAL, fuel cock	2
23	1J7-24532-00-00	. GASKET, fuel cock	2
24	98601-03010-00	. SCREW, oval head.	4
25	1J7-24514-02-00	. FILTER.	2
26	1J7-24522-00-00	. GASKET, drain cover.	2
27	1J7-24521-00-00	. COVER, drain	2
28	97601-04112-00	. SCREW, pan head with washer	4
29	98701-04016-00	. SCREW, oval head (98601-04015)	4
30	90149-06008-00	BOLT, cock connecting (366-24143-00)	4
31	90202-06010-00	WASHER, protector (178-14766-00)	4
32	90445-10133-00	PIPE, fuel (8-135) (824-24315-00)	2
33	90445-07375-00	PIPE, vacuum (4.2-215)	2
34	90467-09006-00	CLIP, pipe (808-24356-00)	4
35	90504-06023-00	SPRING, compression	2
36	90467-07029-00	CLIP.	4