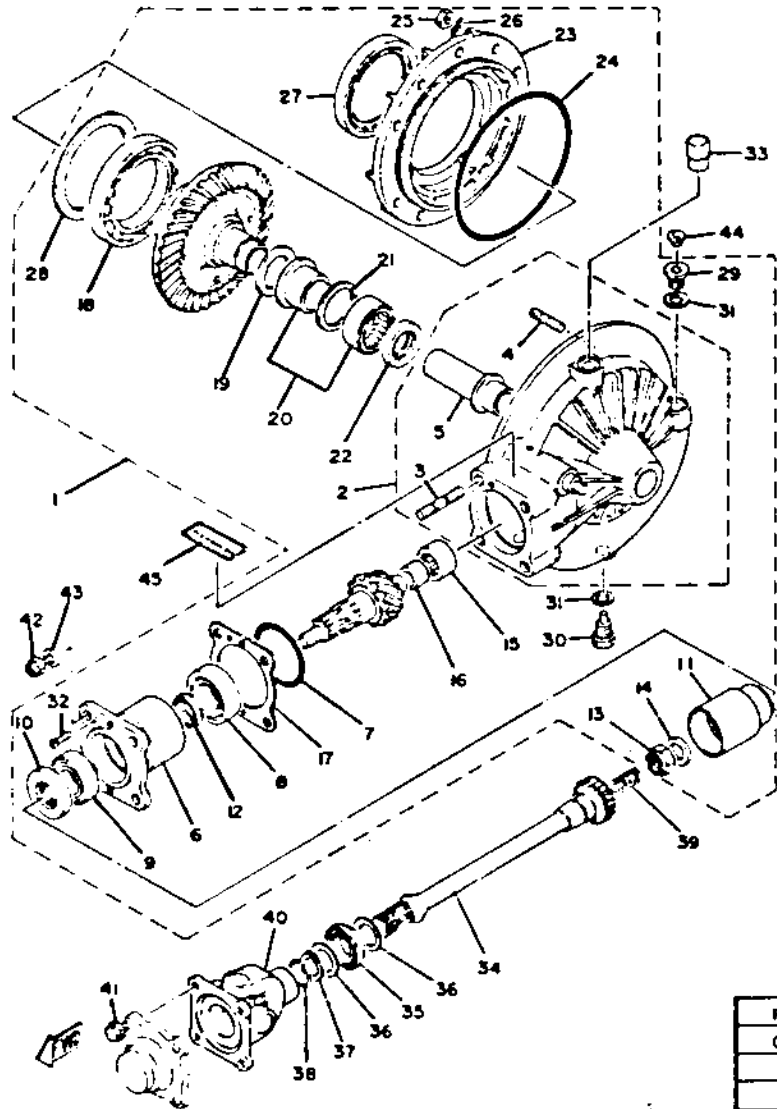


1	3J2-46101-H0-00	REAR AXLE GEAR CASE ASS'Y (3J2-46101-N0).....	1
2	1J7-46150-Y0-00	DRIVE SHAFT HOUSING COMP.	1
3	90116-10248-00	BOLT, stud.....	4
4	90116-08247-00	BOLT, stud.....	10
5	1J7-46153-Y0-00	COLLAR, guide.....	1
6	1J7-46124-Y0-00	HOUSING, bearing.....	1
7	93210-58346-00	O-RING.....	1
8	93332-00024-00	BEARING.....	1
9	93332-00023-00	BEARING.....	1
10	93101-38086-00	OIL SEAL.....	1
11	3J2-46123-00-00	COUPLING, gear.....	1
*12	1J7-46129-Y1-00	SPACER, expansion (1J7-46129-Y0).....	1
13	90185-14070-00	NUT, self-locking.....	1
14	90201-14632-00	WASHER, plate.....	1
15	93317-41510-00	BEARING, cylindrical.....	1
16	1J7-46122-Y0-00	RACE, inner.....	1
17	1J7-46127-Y0-30	SHIM (0.30T).....	1
	1J7-46127-Y0-35	SHIM (0.35T).....	1
	1J7-46127-Y0-40	SHIM (0.40T).....	1
	1J7-46127-Y0-45	SHIM (0.45T).....	1
	1J7-46127-Y0-50	SHIM (0.50T).....	1

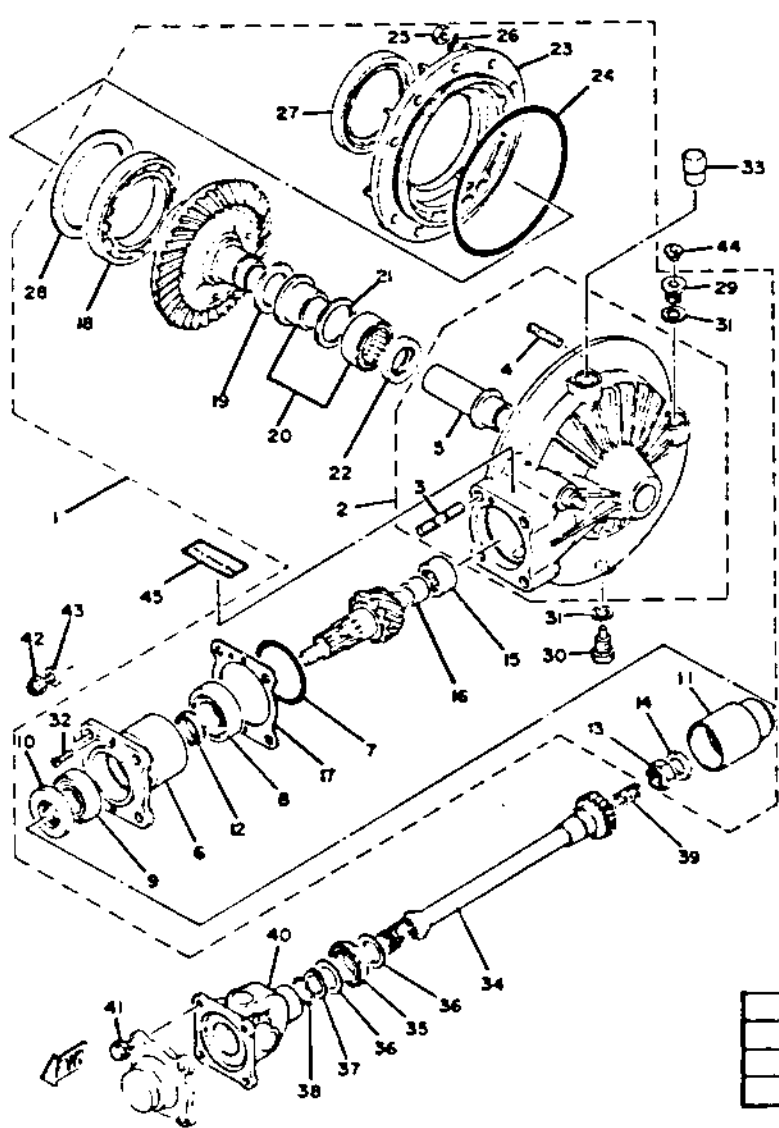
\*Indicates new part numbers activated from March, 1981.

Final Gear Case Capacity	300cc
Gear Case Lubricant: Temp above 5°C (40°F)	SAE 90 Hypoid Gear Oil GL-4
Temp below 15°C (60°F)	SAE 80 Hypoid Gear Oil GL-4



No.	Number	Description	Qty.
18	93316-01402-00	BEARING, cylindrical.....	1
19	1J7-46119-Y0-10	SHIM, thrust (0.1T).....	1
	1J7-46119-Y0-20	SHIM, thrust (0.2T).....	1
20	1J7-46106-N0-00	BEARING ASS'Y .....	1
21	1J7-46118-Y0-18	WASHER, thrust (1.8T).....	1
	1J7-46118-Y0-19	WASHER, thrust (1.9T).....	1
	1J7-46118-Y0-20	WASHER, thrust (2.0T).....	1
	1J7-46118-Y0-21	WASHER, thrust (2.1T).....	1
22	93101-30084-00	OIL SEAL.....	1
23	1J7-46152-Y0-00	HOUSING, bearing.....	1
24	93211-44348-00	O-RING .....	1
25	95311-08600-00	NUT .....	10
26	92901-08700-00	WASHER, wave .....	10
27	93102-70167-00	OIL SEAL (93102-70166) .....	1
28	1J7-46117-Y0-30	SHIM, ring gear (0.30T) .....	1
	1J7-46117-Y0-35	SHIM, ring gear (0.35T) .....	1
	1J7-46117-Y0-40	SHIM, ring gear (0.40T) .....	1
	1J7-46117-Y0-45	SHIM, ring gear (0.45T) .....	1
	1J7-46117-Y0-50	SHIM, ring gear (0.50T) .....	1
29	90340-14046-00	PLUG, straight screw .....	1

Final Gear Case Capacity	300cc
Gear Case Lubricant: Temp above 5°C (40°F)	SAE 90 Hypoid Gear Oil GL-4
Temp below 15°C (60°F)	SAE 80 Hypoid Gear Oil GL-4
All Weather Conditions	SAE 80W90 Hypoid Gear Oil GL-4



Ref. No.	Part Number	Description	Qty.
30	90340-14042-00	PLUG, straight screw	1
31	214-11198-01-00	GASKET	2
32	98703-05018-00	SCREW, flat head (98701-05018)	1
33	2H7-17590-00-00	BREATHER COMP.	1
34	3J2-46172-00-00	SHAFT, drive	1
35	93108-27006-00	OIL SEAL	1
36	90201-27623-00	WASHER, plate	2
37	93410-26011-00	CIRCLIP	1
38	90468-12088-00	CLIP	1
39	90501-16491-00	SPRING, compression	1
40	2H7-46180-00-00	CROSS JOINT COMP.	1
41	90105-08066-00	BOLT, washer based	4
42	95612-10100-00	NUT, U	4
43	92906-10100-00	WASHER, spring	4
44	341-23469-00-00	CAP, bolt	1
45	1J7-46181-11-00	LABEL, oil caution (1J7-46181-10)	1

Final Gear Case Capacity	300cc
Gear Case Lubricant: Temp above 5°C (40°F)	SAE 90 Hypoid Gear Oil GL-4
Temp below 15°C (60°F)	SAE 80 Hypoid Gear Oil GL-4
All Weather Conditions	SAE 80W90 Hypoid Gear Oil GL-4