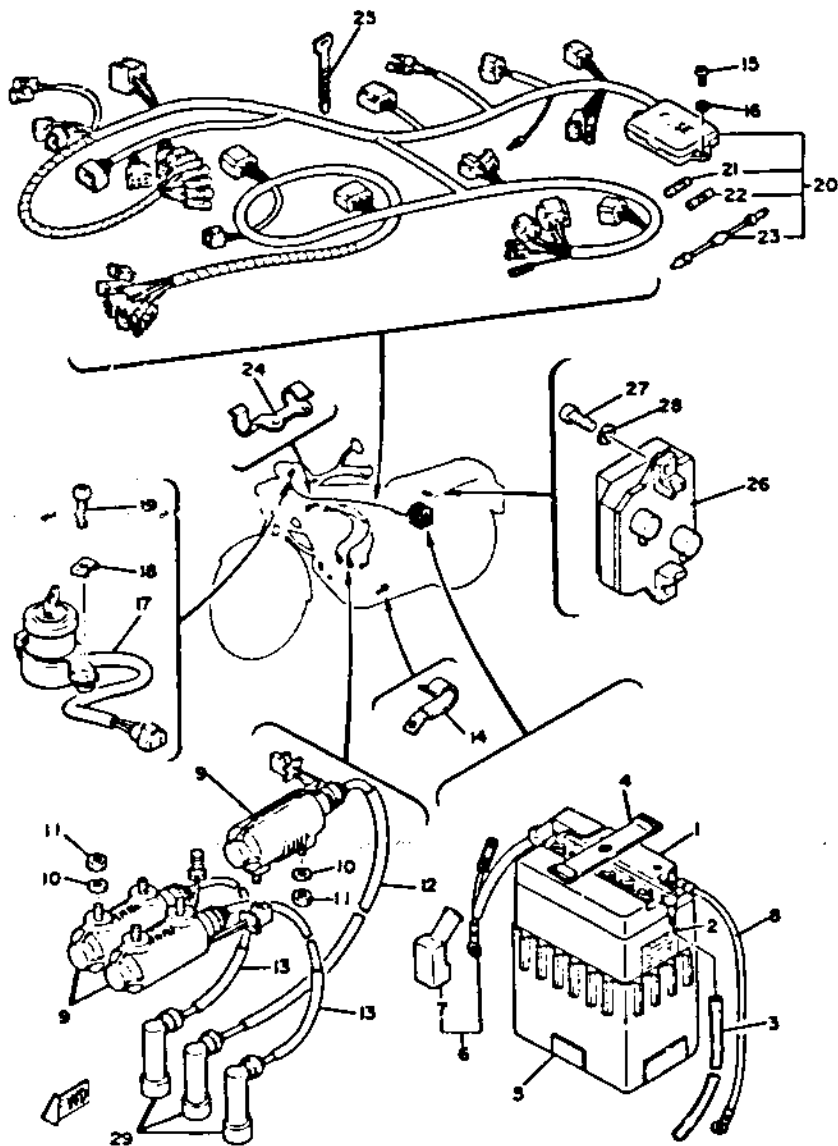


Ref. No.	Part Number	Description	Qty.
1	447-82110-79-00	BATTERY ASS'Y (447-82110-83)	1
* 2	LIT-82141-09-00	LABEL, battery (118-82141-09)	1
3	90445-08380-00	HOSE.....	1
4	120-82131-00-0.	BAND, battery.....	1
5	447-82122-00-00	SEAT, battery.....	1
6	1J7-82115-00-00	WIRE, plus lead.....	1
7	1J7-82119-00-00	COVER, lead wire.....	2
8	1J7-82116-00-00	WIRE, minus lead.....	1
9	2F3-82310-60-00	IGNITION COIL ASS'Y.....	3
10	92903-06100-00	WASHER, spring (92901-06100)	6
11	95301-06700-00	NUT.....	6
12	1J7-82342-00-00	CORD, high tension 2.....	1
13	1J7-82341-00-00	CORD, high tension 1.....	2
14	90462-08056-00	CLAMP.....	1
15	97701-50516-00	SCREW, pan head tapping.....	2
16	92901-05600-00	WASHER, plate.....	2
17	2F3-82508-50-00	MAIN SWITCH ASS'Y.....	1
18	533-82517-00-00	WASHER, special.....	2
19	98501-05018-00	SCREW, pan head.....	2

\*Indicates new part numbers activated from March, 1981.

IGNITION SYSTEM		Transistor Controlled Ignition
Ignition Timing		10° Mark
		Std: 10° @ 1100 rpm Adv: 34° @ 4000
Spark Plug Type		NGK BP-7ES or Champion N-7Y
		0.7 to 0.8 mm / 2.0 mm / 5K Ω ± 20%



Ref. No.	Part Number	Description	Qty.
20	3J3-82590-50-00	WIRE HARNESS ASS'Y.....	1
21	1A0-82151-00-00	. FUSE (12V-10A).....	3
22	1A0-82161-00-00	. FUSE (12V-20A).....	1
23	3H5-81980-00-00	. DIODE .....	1
24	1J7-82594-01-00	CLAMP .....	1
25	437-83936-10-00	BAND, switch cord .....	3
26	3J2-82305-10-00	IGNITION UNIT ASS'Y .....	1
27	92501-06025-00	SCREW, pan head.....	2
28	90201-06557-00	WASHER, plate.....	2
29	1J7-82370-00-00	PLUG CAP ASS'Y .....	3
	1J7-82370-10-00	PLUG CAP-ASS'Y .....	3

IGNITION SYSTEM	Transistor Controlled Ignition	
Ignition Timing	10° Mark	
	Std: 10° @ 1100 rpm	Adv: 34°
Spark Plug Type	NGK BP-7ES or Champion N-7Y	
Spark Plug Gap / Torque / Cap Ω	0.7 ~ 0.8mm / 2.0 m·kg / 5K Ω ± 20%	
TROUBLESHOOTING		
Ignition Coil Test Gap/Primary Ω/Secondary Ω	6mm / 2.75 Ω ± 10% / 7.9K Ω ± 20%	
Pulser Coil or Pick up Coil Color Code / Ω	Org ~ Blk / Yel ~ Blk / Gry ~ Blk /	