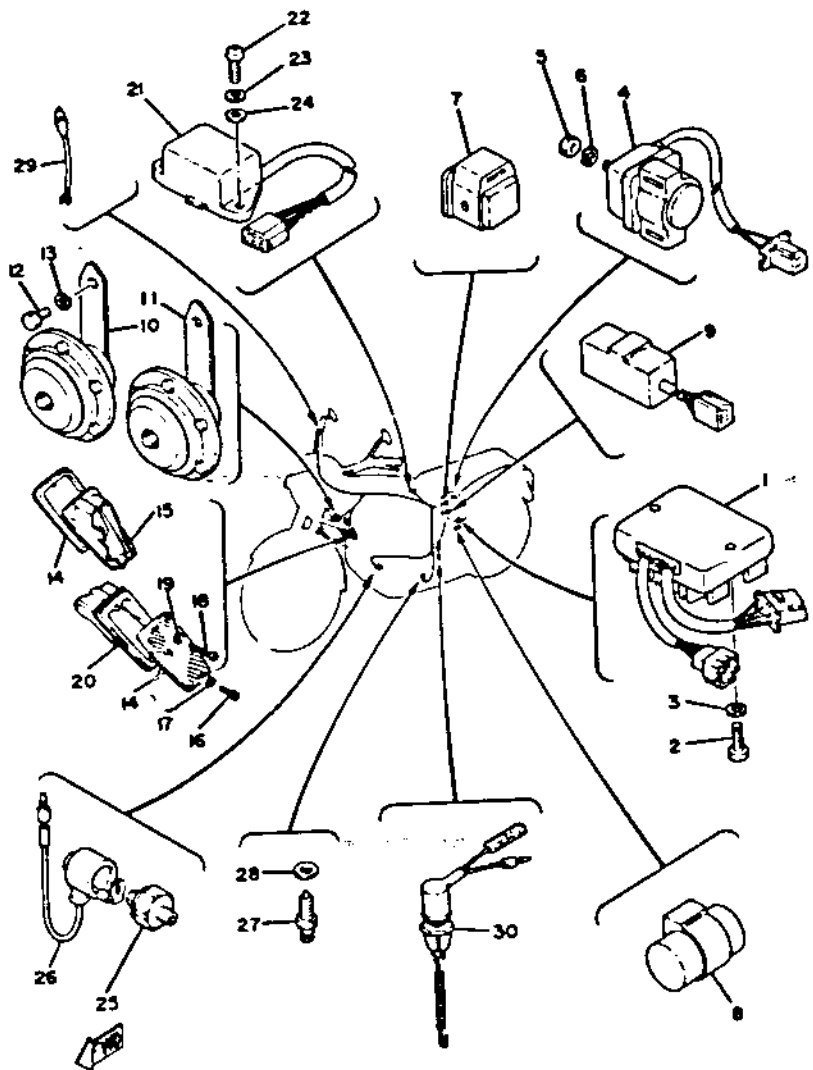


Ref. No.	Part Number	Description	Qty.
* 1	1T4-81960-A0-00	RECTIFIER & REGULATOR ASS'Y (1T4-81960-92)	1
2	92501-06025-00	SCREW, pan head.	2
3	92903-06100-00	WASHER, spring (92901-06100)	2
4	1J7-81940-10-00	STARTER SWITCH ASS'Y.	1
5	95301-06700-00	NUT.	2
6	92903-06100-00	WASHER, spring (92901-06100)	2
7	3H5-81950-00-00	RELAY ASS'Y.	1
8	3J3-83350-70-00	FLASHER RELAY ASS'Y	1
9	1A0-83395-03-00	FLASHER CANCELLING UNIT (1A0-83395-02)	1
10	3J3-83371-20-00	HORN.	1
11	3J3-83371-30-00	HORN	1
12	97306-08014-00	BOLT	2
13	92906-08100-00	WASHER, spring	2
14	3G1-85110-00-00	FRONT REFLECTOR ASS'Y	2
15	3J3-85127-00-00	BASE, reflector 1.	1
16	98501-04018-00	SCREW, pan head.	2
17	92901-04600-00	WASHER, plate	2
18	849-84724-00-00	SCREW, lens fitting	2
19	92901-04600-00	WASHER, plate	2
20	3J3-85127-50-00	BASE, reflector 2.	1

*Indicates new part numbers activated from March, 1981.



Ref. No.	Part Number	Description	Qty.
21	2F9-84308-00-00	RESERVE LIGHTING UNIT ASS'Y	1
22	92503-06020-00	SCREW, pan head (92501-06020)	2
23	92903-06100-00	WASHER, spring (92901-06100)	2
24	92901-06600-00	WASHER, plate	2
25	341-82504-02-00	OIL PRESSURE SWITCH ASS'Y	1
26	1J7-82507-00-00	WIRE, lead	1
27	2H7-82540-00-00	NEUTRAL SWITCH ASS'Y	1
28	90430-10148-00	GASKET	1
29	1A0-83980-30-00	FRONT STOP SWITCH ASS'Y	1
30	2F1-82530-00-00	STOP SWITCH ASS'Y	1