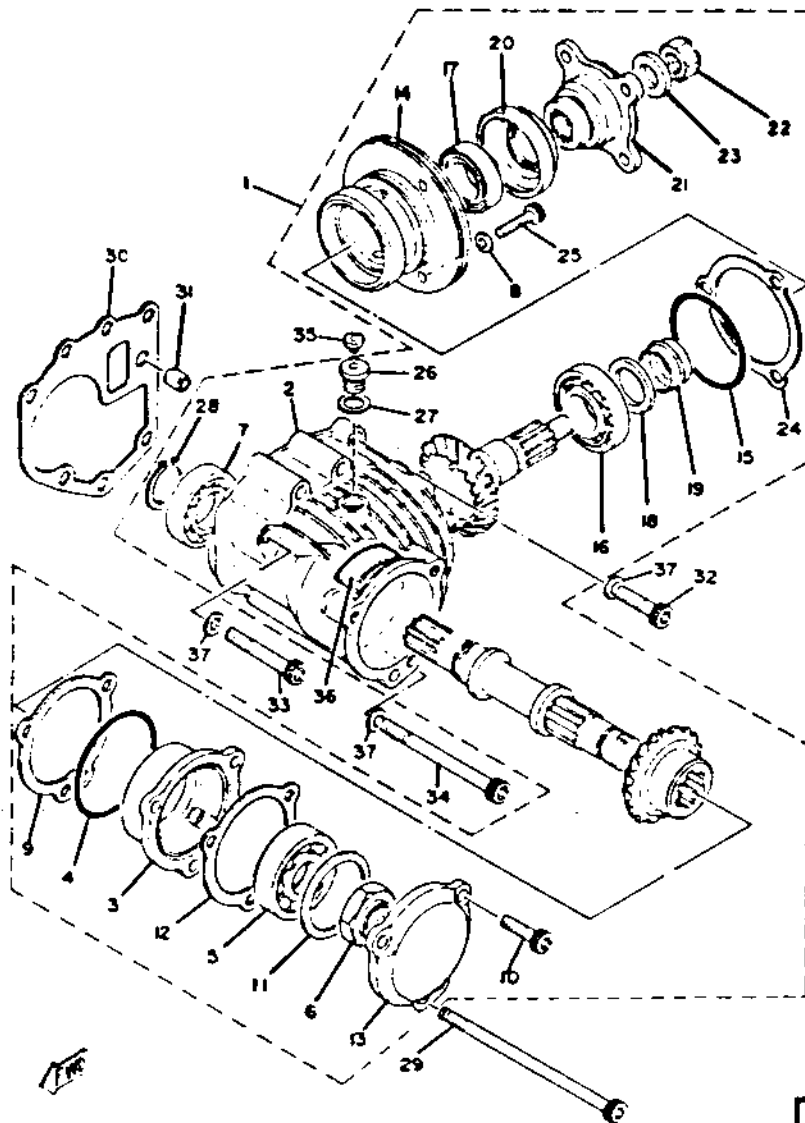


1	3J2-17501-H0-00	MIDDLE GEAR CASE ASS'Y (3J2-17501-N0).....	1
2	2H7-17511-00-00	. HOUSING, middle gear.....	1
3	2H7-17521-00-00	. HOUSING, bearing.....	1
4	93210-68347-00	. O-RING	1
5	93306-30524-00	. BEARING.....	1
6	90179-24230-00	. NUT	1
7	93306-00608-00	. BEARING (B6006).....	1
8	90201-08675-00	. WASHER, plate	3
9	1J7-17531-Y0-00	. SHIM, pinion (0.10T).....	1
	1J7-17531-Y0-15	. SHIM, pinion (0.15T).....	1
	1J7-17531-Y0-30	. SHIM, pinion (0.30T).....	1
10	91311-08030-00	. BOLT, hexagon socket head (90110-08022)	3
11	1J7-17537-Y0-15	. SHIM, thrust (0.15T).....	1
	1J7-17537-Y0-30	. SHIM, thrust (0.30T).....	1
	1J7-17537-Y0-40	. SHIM, thrust (0.40T).....	1
	1J7-17537-Y0-50	. SHIM, thrust (0.50T).....	1
12	1J7-17519-Y0-00	. GASKET, housing cap.....	1
13	2H7-17538-00-00	. CAP, housing	1
14	2H7-17551-00-00	. HOUSING, bearing.....	1
15	93210-71360-00	. O-RING	1
16	93332-00028-00	. BEARING.....	1
17	93332-00024-00	. BEARING.....	1
18	90201-25634-00	. WASHER, plate	1



Ref. No.	Part Number	Description	Qty.
19	2H7-17571-00-00	SPACER, expansion.....	1
20	93101-35085-00	OIL SEAL.....	1
21	1J7-17555-Y0-00	FLANGE, middle gear.....	1
22	90185-14070-00	NUT, self-locking.....	1
23	90201-14633-00	WASHER, plate.....	1
24	2H7-17531-00-10	SHIM, pinion (0.10T).....	1
	2H7-17531-00-15	SHIM, pinion (0.15T).....	1
	2H7-17531-00-30	SHIM, pinion (0.30T).....	1
25	90110-08022-00	BOLT, hexagon socket head...	3
26	90340-14046-00	PLUG, straight screw.....	1
27	214-11198-01-00	GASKET.....	1
28	93410-30012-00	CIRCLIP.....	1
29	90110-08021-00	BOLT, hexagon socket head....	1
30	1J7-17518-00-00	GASKET, middle gear case....	1
31	91830-21014-00	PIN, dowel.....	1
32	90110-08023-00	BOLT, hexagon socket head....	1
33	91316-08060-00	BOLT.....	3
34	91316-08100-00	BOLT.....	2
35	341-23469-00-00	CAP, bolt.....	1
36	1J7-46181-11-00	LABEL, oil caution (1J7-46181-10)	1
37	90201-08675-00	WASHER, plate.....	6

Middle Gear Case Capacity	375cc
Final Gear Case Capacity	300cc
Gear Case Lubricant: Temp above 5°C (40°F)	SAE 90 Hypoid Gear Oil GL-4
Temp below 15°C (60°F)	SAE 80 Hypoid Gear Oil GL-4
All Weather Conditions	SAE 80W/90 Hypoid Gear Oil GL-4