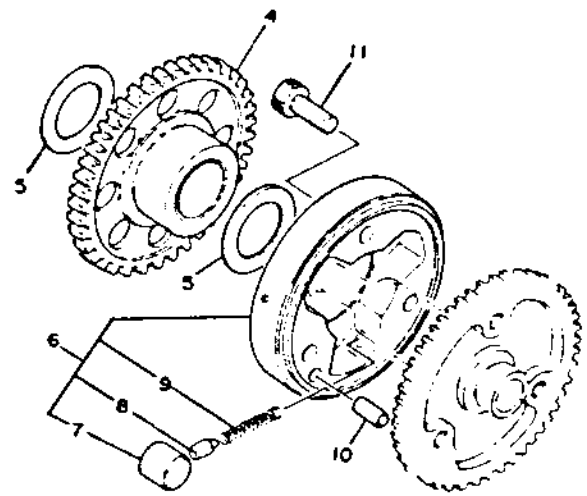
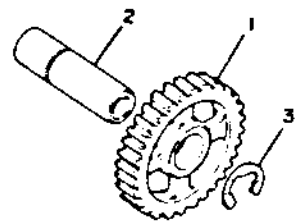


No.	Number	Description	Qty.
1	3J2-81800-60-00	STARTING MOTOR ASS'Y	1
2	1J7-81810-60-00	STATOR ASS'Y	1
3	371-81826-20-00	BOLT	2
4	371-81845-20-00	PLATE	1
5	371-81844-20-00	GASKET	1
6	371-81809-20-00	WASHER KIT	1
7	371-81847-20-00	O-RING	1
8	371-81840-20-00	BRUSH HOLDER ASS'Y	1
9	371-81813-20-00	SPRING, brush	2
10	371-81811-20-00	BRUSH 1	1
11	371-81812-20-00	BRUSH 2	1
12	98501-03008-00	SCREW, pan head	2
13	92901-03100-00	WASHER, spring	2
14	3J3-15511-00-00	GEAR, starting motor	1
15	93410-12003-00	CIRCLIP	1
16	1J7-81847-60-00	O-RING	1
17	3J2-81850-60-00	ARMATURE ASS'Y	1
18	91311-08025-00	BOLT	2



Qty.	Number	Description	Qty.
	1	3J2-15512-00-00 GEAR, idler 1 (28T).....	1
	2	1J7-15521-00-00 SHAFT 1.....	1
	3	93430-15023-00 CIRCLIP.....	1
	4	3J2-15517-00-00 GEAR, idler 2 (47T).....	1
	5	90201-25291-00 WASHER, plate.....	2
	6	1J7-15580-01-00 STARTER CLUTCH OUTER ASS'Y (1J7-15580-00).....	1
	7	93615-17125-00 . PIN, dowel.....	3
	8	1J7-15583-01-00 . CAP, starter clutch spring (1J7-15583-00).....	3
	9	90501-04503-00 . SPRING, compression.....	3
	10	93606-14081-00 PIN, dowel.....	1
	11	91316-08020-00 BOLT.....	3

FWD