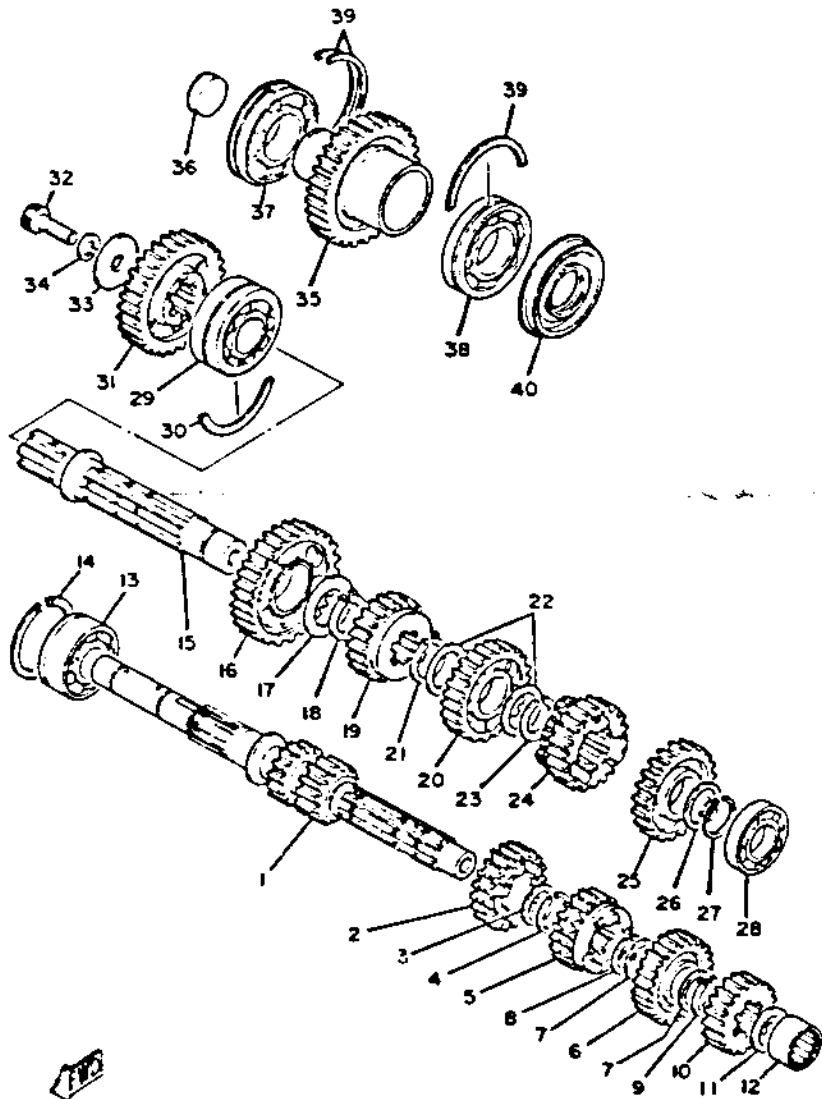


Ref. No.	Part Number	Description	Qty.
1	3J2-17411-01-00	AXLE, main (14T)	1
2	3J2-17141-00-00	GEAR, 4th pinion (21T)	1
3	90201-25287-00	WASHER, plate	1
4	93440-25020-00	CIRCLIP	1
5	3J2-17131-00-00	GEAR, 3rd pinion (20T)	1
6	1J7-17151-04-00	GEAR, 5th pinion (23T)	
	(1J7-17151-03)	1
7	90209-22191-00	WASHER	2
8	93440-25020-00	CIRCLIP	1
9	93410-25017-00	CIRCLIP	1
10	256-17121-01-00	GEAR, 2nd pinion (17T)	1
11	137-17427-00-09	SHIM (0.9T)	1
12	93311-32024-00	BEARING, cylindrical	1
13	93305-20504-00	BEARING (B5205)	1
14	93440-52014-00	CIRCLIP	1
15	3J2-17421-00-00	AXLE, drive	1
16	3J2-17211-01-00	GEAR, 1st wheel (32T)	1
17	90201-30398-00	WASHER, plate	1
18	93410-30012-00	CIRCLIP	1
19	1J7-17241-03-00	GEAR, 4th wheel (23T)	1
20	1J7-17231-03-00	GEAR, 3rd wheel (26T)	1

170



Ref. No.	Part Number	Description	Qty.
21	93410-30012-00	CIRCLIP	1
22	90209-27192-00	WASHER	2
23	93440-30077-00	CIRCLIP	1
24	1J7-17251-03-00	GEAR, 5th wheel (22T).....	1
25	3J2-17221-00-00	GEAR 2nd wheel (27T).....	1
26	117-15644-00-00	SHIM.....	1
27	93410-25010-00	CIRCLIP	1
28	93306-20538-00	BEARING (B6205Z).....	1
29	93305-20603-00	BEARING (B5206).....	1
30	93440-62046-00	CIRCLIP	1
31	3J3-17582-00-00	GEAR, middle drive (31T).....	1
32	91316-10030-00	BOLT (91318-10030)	1
33	90201-10595-00	WASHER, plate	1
34	92903-10100-00	WASHER, spring (92901-10100)	1
35	3J2-17583-00-00	GEAR, middle driven (35T)	1
36	90231-27013-00	PLUG.....	1
37	93306-20707-00	BEARING (B6207N)	1
38	93306-20705-00	BEARING (B6207N)	1
39	93440-72049-00	CIRCLIP	5
40	93103-35105-00	OIL SEAL	1

Oil Pressure Ho/rpm	2.0 kg/cm ² @ 90°C / 1100 rpm @ Oil Pressure
Oiling System	Wet Sump
Capacity: Dry	3700cc
Oil and Filter Change	3100cc
Oil Change	2800cc
Lubricant: Temp. above 5°C (40°F)	Yamalube 4* or SAE 20W40 SE Motor Oil
Below 15°C (60°F)	SAE 10W30 SE Motor Oil

TRANSMISSION - Oil Type/Qty Chg/Qty Reassemble	See ENGINE above
Primary Drive Type / Teeth / Ratio	Spur Gear - Silent Chain / 45-27 / 1.668
Secondary Drive Type / Teeth / Chain	Shaft Drive / 35-31 x 19-18 x 32-11 / #