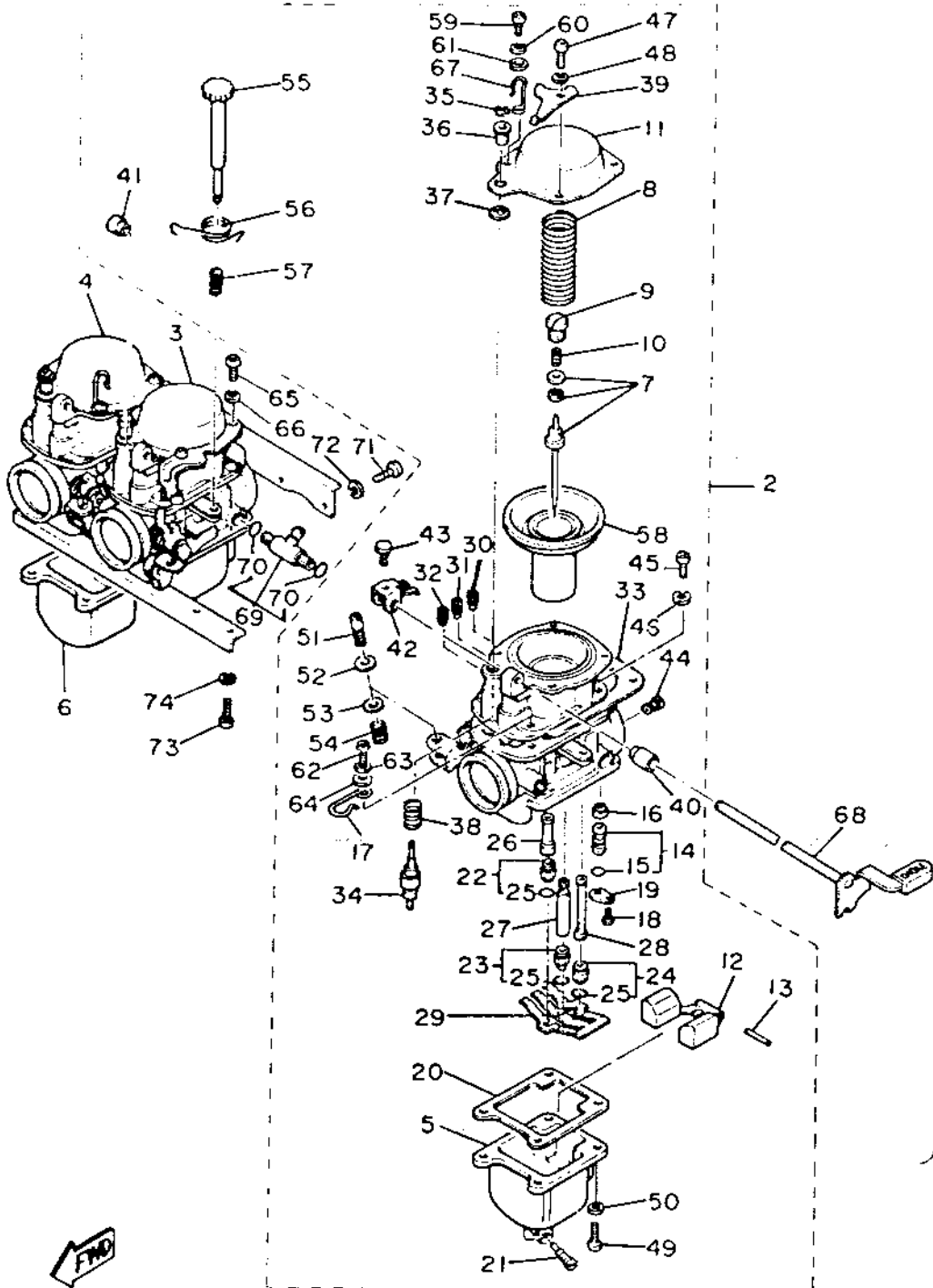


Ref No	Part Number	Description	Qty	Applicable Machine No
1	(3J3-14900-00-00)	CARBURETOR ASS'Y	1	
2	3J3-14901-00-00	CARBURETOR ASS'Y 1	1	
3	3J3-14902-00-00	CARBURETOR ASS'Y 2	1	
4	3J3-14903-00-00	CARBURETOR ASS'Y 3	1	
* 5	3J3-14981-01-00	BODY, float chamber	2	
* 6	3J3-14982-00-00	BODY, float chamber	1	
7	3J3-14917-01-00	JET, needle	3	
8	3J3-14933-00-00	SPRING, diaphragm	3	
9	4H7-14936-00-00	SEAT, spring	3	
10	3J3-14589-00-00	SPRING	3	
11	3J3-14958-00-00	COVER, diaphragm	3	
12	3J3-14985-00-00	FLOAT	3	
13	3J3-14186-00-00	PIN, float	3	
14	3J3-14990-20-00	NEEDLE VALVE ASS'Y	3	
*15	3J3-14147-00-00	O-RING	3	
16	3J3-14994-00-00	NET	3	
17	3J3-14937-00-00	CLIP	1	
*18	97802-04008-00	SCREW, pan head	3	
19	3J3-14146-00-00	PLATE	3	
20	3J3-14984-00-00	GASKET, float chamber	3	
21	4H7-14191-00-00	PLUG, drain	3	
22	3J3-14943-42-00	JET, main	3	
23	3J3-14948-40-00	JET	3	
24	3J3-14961-40-00	JET, starter	3	
*25	3J3-14561-00-00	O-RING	9	
*26	3J3-14921-26-00	NOZZLE, main	3	
27	3J3-14924-00-00	EMULSION TUBE, slow	3	
28	3J3-14947-15-00	JET, needle	3	

*Indicates new part numbers activated from March, 1980

CARBURETOR - Mfr. / Type / I.D. Number	Hitachi / HSC34-10 / 3J3-00
Main Jet / Pilot Jet	142 / 40
Needle Jet / Jet Needle-Clip Position	2.6 / Y-01 Fixed
Slide Cutaway or Throttle Valve	13° (#130)
Float Level / Fuel Level	12.5 ± 1.0mm / NA
Idle rpm	1100 ± 50 rpm
Max CO* / Max HC* / Set CO	5.0 % / 500 ppm / 3.0 % (All Setting)

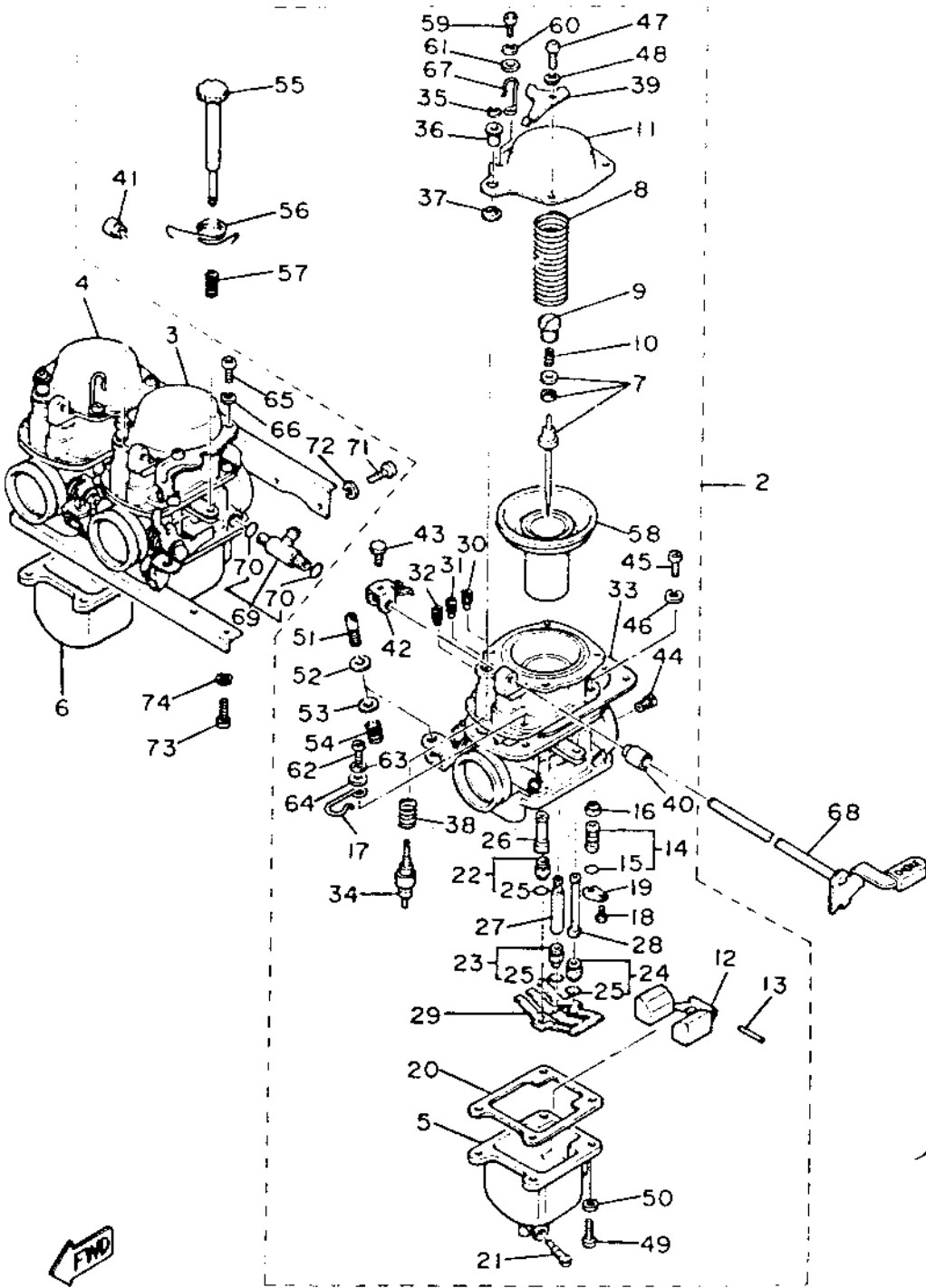


Ref. No	Part Number	Description	Qty
29	3J3-14956-00-00	HOLDER, jet	3
30	3J3-14928-10-00	JET, main air	3
31	3J3-14949-31-00	JET, pilot, air	3
32	3J3-14983-12-00	NOZZLE, starter	3
33	3J3-14959-00-00	GASKET	3
34	3J3-14171-00-00	PLUNGER, starter	3
35	3J3-14955-00-00	E-RING	3
36	3J3-14968-00-00	CAP	3
37	3J3-14173-00-00	COVER, plunger cap	3
38	3J3-14135-00-00	SPRING, plunger	3
39	3J3-14996-00-00	SPRING, starter lever	1
40	3J3-14998-00-00	BUSH	1
41	3J3-14973-00-00	BUSH	2
42	3J3-14905-00-00	LEVER, starter	3
*43	3J3-14991-01-00	SCREW	3
44	3J3-14989-20-00	ORIFICE, air vent	6
45	98503-05015-00	SCREW, pan head (98501-05015)	14
46	92903-05100-00	WASHER, spring (92901-05100)	14
47	98501-05010-00	SCREW, pan head	8
48	92903-05100-00	WASHER, spring (92901-05100)	8
49	98501-05016-00	SCREW, pan head	12
50	92903-05100-00	WASHER, spring (92901-05100)	12
51	3J3-14922-00-00	SCREW, throttle	2
52	3J3-14951-00-00	WASHER	2
53	3J3-14952-00-00	WASHER	2
54	3J3-14133-00-00	SPRING, throttle stop	2
55	3J3-14122-00-00	SCREW, throttle	1
56	3J3-14938-00-00	SPRING	1

*Indicates new part numbers activated from March, 1980

CARBURETOR - Mfr. / Type / I.D. Number	Hitachi / HSC34-10 / 3J3-00
Main Jet / Pilot Jet	142 / 40
Needle Jet / Jet Needle-Clip Position	2.8 / Y-01 Fixed
Slide Cutaway or Throttle Valve	13° (#130)
Float Level / Fuel Level	12.5 ± 1.0mm / NA
Idle rpm	1100 ± 50 rpm
Max. RPM / Max. Fuel Flow	5000 / 1.00 L/min

FWD



Ref No	Part Number	Description	Qty	Appl Mach No
57	3J3-14934-00-00	SPRING, throttle stop	1	
58	3J3-14940-00-00	DIAPHRAGM ASS'Y	3	
59	98503-05012-00	SCREW, pan head (98501-05012)	2	
60	92903-05100-00	WASHER, spring (92901-05100)	2	
61	92901-05600-00	WASHER, plate	2	
62	98501-05016-00	SCREW, pan head	1	
63	92903-05100-00	WASHER, spring (92901-05100)	1	
64	92901-05600-00	WASHER, plate	1	
65	98503-05012-00	SCREW, pan head (98501-05012)	2	
66	92903-05100-00	WASHER, spring (92901-05100)	2	
*67	3J3-14139-00-00	CLIP, pipe	2	
68	3J3-14978-00-00	SHAFT, starter lever	1	
*69	3J3-14988-01-00	PIPE, starter connecting	2	
*70	3J3-14147-00-00	O-RING	4	
71	98503-05012-00	SCREW, pan head (98501-05012)	6	
72	92903-05100-00	WASHER, spring (92901-05100)	6	
73	92503-06015-00	SCREW, pan head (92501-06015)	6	
74	92903-06100-00	WASHER, spring (92901-06100)	6	

*Indicates new part numbers activated from March, 1980

CARBURETOR - Mfr. / Type / I.D. Number	Hitachi / HSC34-10 / 3J3-00
Main Jet / Pilot Jet	142 / 40
Needle Jet / Jet Needle-Clip Position	2.6 / Y-01 Fixed
Slide Cutaway or Throttle Valve	13° (#130)
Float Level / Fuel Level	12.5 ± 1.0mm / NA
Idle rpm	1100 ± 50 rpm
Max CO* / Max HC* / Set CO	5.0 % / 500 ppm / 3.0 % (All Set)