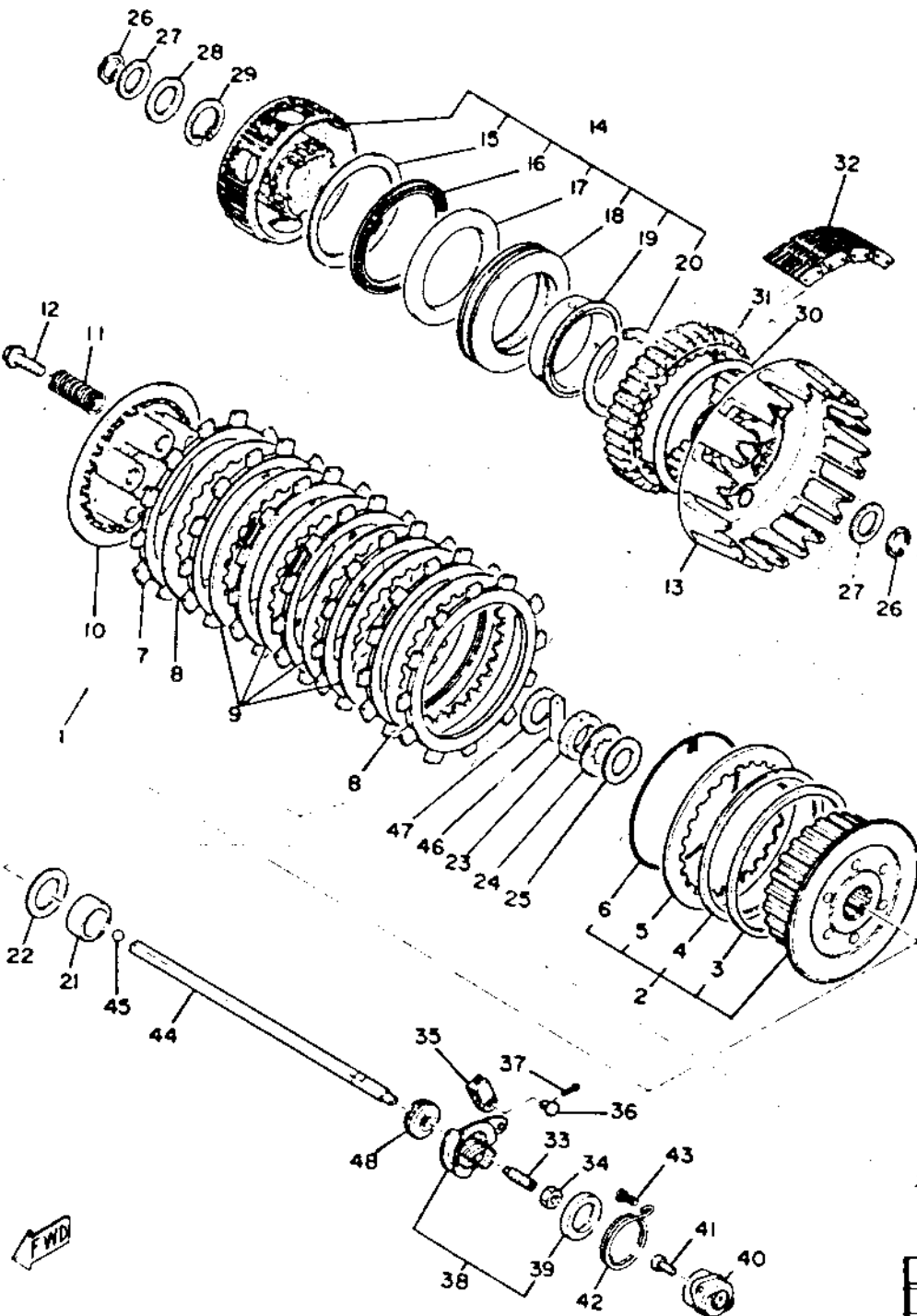


Ref. No.	Part Number	Description	Qty
1	3J2-16301-01-00	CLUTCH ASS'Y	1
2	1T5-16370-00-00	CLUTCH BOSS ASS'Y	1
3	1J7-16384-00-00	PLATE, seat	1
4	1J7-16383-01-00	SPRING, clutch boss	1
5	168-16325-00-00	PLATE, clutch 2	1
6	1J7-16385-00-00	RING, clutch boss	1
7	583-16321-00-00	PLATE, friction	7
8	168-16325-00-00	PLATE, clutch 2	2
9	3J2-16324-00-00	PLATE, clutch 1	4
10	1J7-16351-00-00	PLATE, pressure 1	1
11	90501-23142-00	SPRING, compression	6
12	90159-06010-00	SCREW, with washer	6
13	1J7-16310-03-00	CLUTCH HOUSING ASS'Y	1
14	3J2-16306-00-00	CLUTCH DAMPER ASS'Y	1
15	90201-77604-00	WASHER, plate	1
16	93340-27601-00	BEARING	1
17	90201-69603-00	WASHER, plate	1
18	1J7-16318-00-00	SPRING, damper	1
19	90387-64672-00	COLLAR (90387-64749)	1
20	93440-64047-00	CIRCLIP	1
21	90560-25160-00	SPACER	1
22	90201-25291-00	WASHER, plate	1
23	90170-24203-00	NUT	1
24	90215-21130-00	WASHER, lock	1
25	90208-25021-00	WASHER, conical spring	1
26	93410-20009-00	CIRCLIP	2
27	90201-21599-00	WASHER, plate	2
28	2F3-16391-00-00	SHIM (0.2T)	1

Clutch Friction Plate Thickness Std ~ Min	2.8 ~ 2.6mm
Clutch Spring Length Std ~ Min	42.8 ~ 41.5mm
Clutch Nut	24 x 1.5: 11.0 m-kg

DESCRIPTION



Ref No	Part Number	Description	Qty
29	93440-31068-00	CIRCLIP	1
30	90201-99692-00	WASHER, plate (0.3T)	1
	90201-99693-00	WASHER, plate (0.5T)	1
31	3J2-16151-00-00	GEAR, primary driven (106T)	1
32	3J2-16139-00-00	CHAIN, primary	1
33	90113-08021-00	BOLT, set	1
34	90179-08179-00	NUT	1
35	1J7-16389-00-00	JOINT	1
36	90240-06005-00	PIN, clevis	1
37	91401-10010-00	PIN, cotter	1
38	1J7-16340-01-00	PUSH LEVER ASS'Y	1
39	214-16347-01-00	SEAL, dust	1
40	1J7-16304-00-00	BALL SCREW HOUSING ASS'Y	1
41	98503-05012-00	SCREW, pan head (98501-05012)	2
42	90508-18313-00	SPRING, torsion	1
43	132-16346-00-00	HOOK, spring	1
44	1J7-16357-01-00	ROD, push 2	1
45	93505-16006-00	BALL	1
46	1J7-16356-01-00	ROD, push 1	1
47	90201-22625-00	WASHER, plate	1
48	93102-08193-00	OIL SEAL (93102-08205)	1

Clutch Nut	24 x 1.5: 11.0 m·kg
Clutch Friction Plate Thickness Std ~ Min	2.8 ~ 2.6mm
Clutch Spring Length Std ~ Min	42.8 ~ 41.5mm