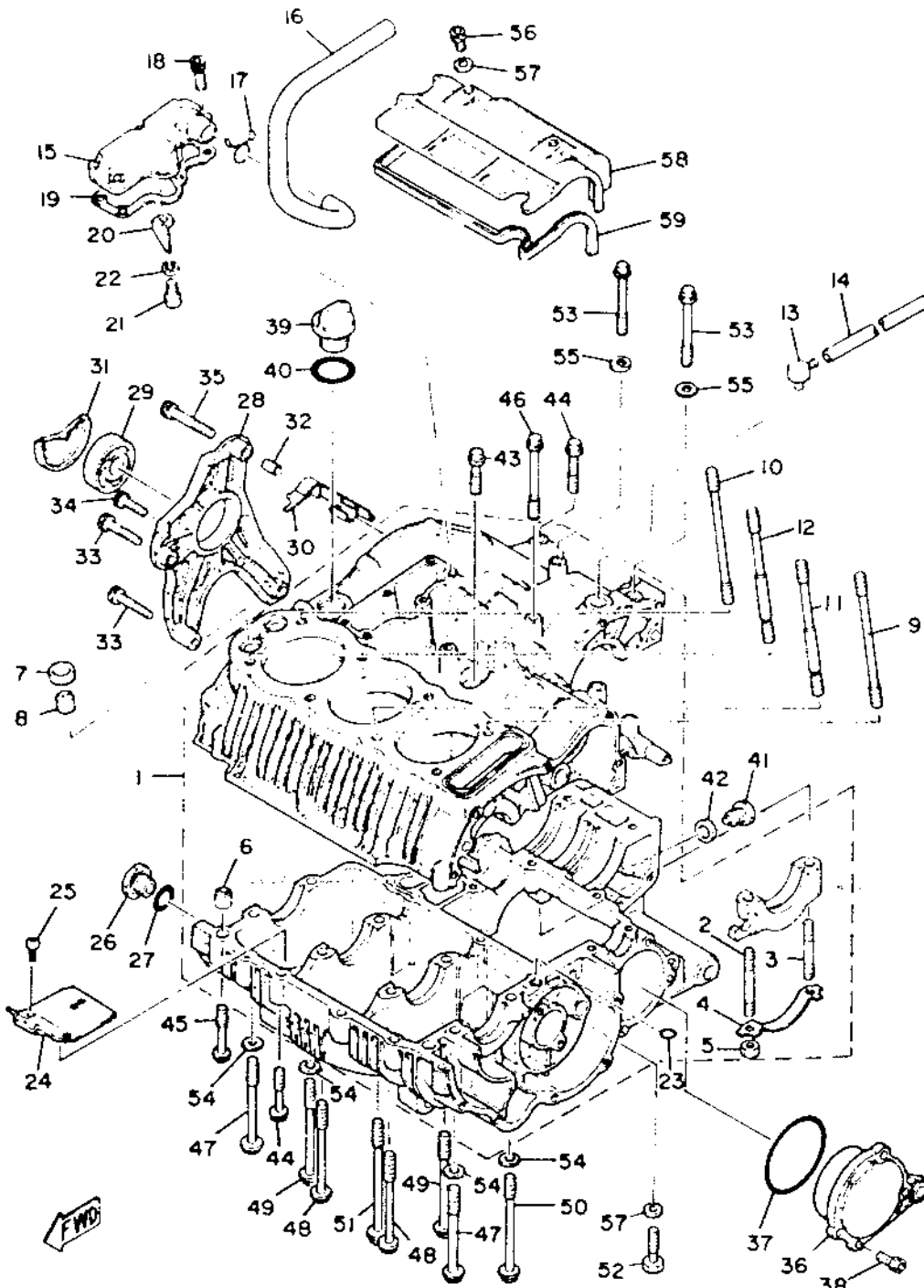


Ref No	Part Number	Description	Qty	Applica Machin No
1	3J2-15100-00-00	CRANKCASE ASS'Y.	1	
2	90116-08229-00	BOLT, stud	1	
3	90116-08230-00	BOLT, stud	1	
4	2K3-15186-00-00	WASHER, bearing housing	1	
5	90170-08158-00	NUT	2	
6	91830-24016-00	PIN, dowel	2	
7	1J7-11357-00-00	SEAL, cylinder 3	2	
8	91810-03014-00	PIN, dowel	2	
9	90116-10273-00	BOLT, stud	3	
10	90116-10274-00	BOLT, stud	1	
11	2F3-11363-00-00	BOLT, cylinder holding 3	2	
12	2F3-11364-00-00	BOLT, cylinder holding 4	2	
13	2H7-17591-01-00	BREATHER	1	
14	90445-07039-00	HOSE	1	
15	2G2-11168-00-00	COVER, breather	1	
16	2F3-11166-00-00	PIPE, breather 1	1	
17	90467-14015-00	CLIP	1	
18	91311-06025-00	BOLT	6	
19	1J7-11169-00-00	GASKET, breather cover	1	
20	1J7-11165-00-00	PLATE, breather	1	
21	92501-06014-00	SCRE, pan head	1	
22	92903-06100-00	WASHER, spring (92901-06100)	1	
23	93210-09350-00	O-RING	1	
24	2F3-15123-00-00	PLATE, baffle 1	3	
25	90167-05002-00	SCREW, tapping	9	
26	90401-18042-00	BOLT, union	1	
27	93210-18319-00	O-RING	1	
28	1J7-15442-02-00	HOUSING, bearing	1	

Oiling System	Wet Sump
Capacity: Dry	3700cc
Oil and Filter Change	3100cc
Oil Change	2900cc
Lubricant: Temp. Above 5°C (40°F)	Yamalube 4* or SAE 20W40 SE
Temp. Below 15°C (60°F)	Yamalube 4* or SAE 10W30 SE



Ref. No	Part Number	Description	Qty
29	93306-30418-00	BEARING (B6304C4)	1
30	2F3-15432-01-00	COLLECTOR, oil	1
31	2F3-15449-01-00	RING, rubber	1
32	91810-03014-00	PIN, dowel	2
33	91316-08040-00	BOLT	2
34	91316-08025-00	BOLT	1
35	91316-08050-00	BOLT	1
36	3J2-15164-00-00	HOUSING, bearing 2	1
37	93210-71315-00	O-RING	1
38	91311-06020-00	BOLT	4
39	2F3-15363-00-00	PLUG, oil	1
40	93210-29198-00	O-RING	1
41	90340-14042-00	PLUG, straight screw	1
42	214-11198-01-00	GASKET	1
43	95821-08035-00	BOLT, flange	1
44	95821-08045-00	BOLT, flange	11
45	95821-08050-00	BOLT, flange	1
46	95821-08085-00	BOLT, flange	1
47	95821-10095-00	BOLT, flange	2
48	95821-10100-00	BOLT, flange	2
49	95821-10105-00	BOLT, flange	2
50	95821-10115-00	BOLT, flange	1
51	95821-10125-00	BOLT, flange	1
52	97321-08040-00	BOLT	1
53	95821-08075-00	BOLT, flange	3
54	90201-10128-00	WASHER, plate	4
55	90201-08382-00	WASHER, plate	3
*56	91311-06012-00	BOLT	2
57	92903-06200-00	WASHER, plain (92901-06200)	2
58	2G2-15436-00-00	COVER, starting motor	1
59	1J7-15446-00-00	GASKET, starting motor cover	1

*Indicates new part numbers activated from March, 1980

Oiling System	Wet Sump
Capacity: Dry	3700cc
Oil and Filter Change	3100cc
Oil Change	2800cc
Lubricant: Temp. Above 5°C (40°F)	Yamalube 4* or SAE 20W40
Temp. Below 15°C (60°F)	Yamalube 4* or SAE 10W30

Drain Plug	14 x 1.5: 4.3 m-kg
------------	--------------------