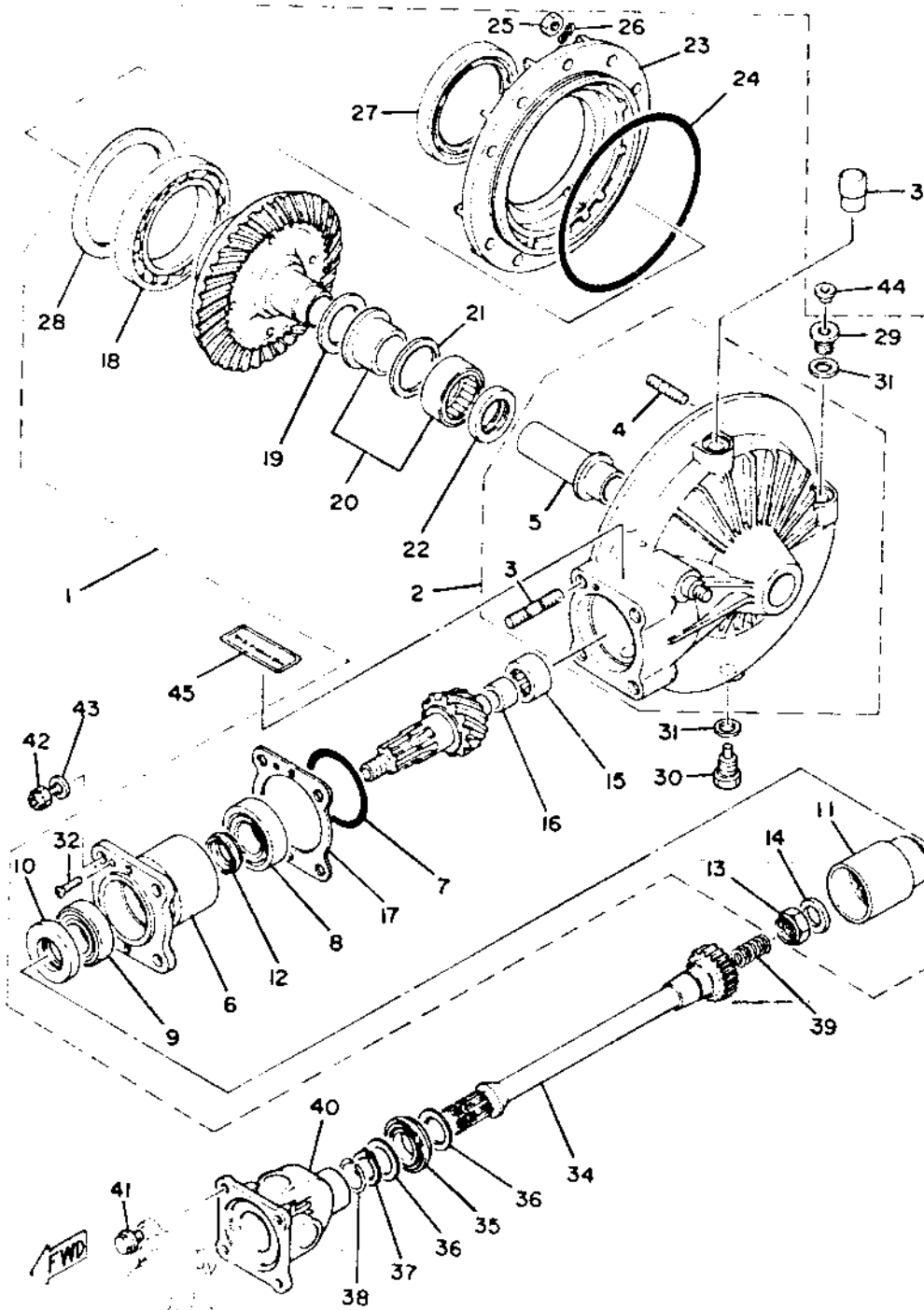


Ref No	Part Number	Description	Qty	Apph Mach No
* 1	4R2-46101-N0-00	REAR AXLE GEAR CASE ASS'Y	1	
* 2	4R2-46150-Y0-00	DRIVE SHAFT HOUSING COMP.	1	
3	90116-10248-00	BOLT, stud	4	
4	90116-08247-00	BOLT, stud	10	
5	1J7-46153-Y0-00	COLLAR, guide	1	
6	1J7-46124-Y0-00	HOUSING, bearing	1	
7	93210-58346-00	O-RING	1	
8	93332-00024-00	BEARING	1	
9	93332-00023-00	BEARING	1	
10	93101-38086-00	OIL SEAL	1	
11	3J2-46123-00-00	COUPLING, gear	1	
12	1J7-46129-Y0-00	SPACER, expansion	1	
13	90185-14070-00	NUT, self-locking	1	
14	90201-14632-00	WASHER, plate	1	
15	93317-41510-00	BEARING, cylindrical	1	
16	1J7-46122-Y0-00	RACE, inner	1	
17	1J7-46127-Y0-30	SHIM (0.30T)	1	U.R.
	1J7-46127-Y0-35	SHIM (0.35T)	1	U.R.
	1J7-46127-Y0-40	SHIM (0.40T)	1	U.R.
	1J7-46127-Y0-45	SHIM (0.45T)	1	U.R.
	1J7-46127-Y0-50	SHIM (0.50T)	1	U.R.
18	93316-01402-00	BEARING, cylindrical	1	
19	1J7-46119-Y0-10	SHIM, thrust (0.1T)	1	U.R.
	1J7-46119-Y0-20	SHIM, thrust (0.2T)	1	U.R.
20	1J7-46106-N0-00	BEARING ASS'Y	1	
21	1J7-46118-Y0-18	WASHER, thrust (1.8T)	1	U.R.
	1J7-46118-Y0-19	WASHER, thrust (1.9T)	1	U.R.

*Indicates new part numbers activated from March, 1980

Final Gear Case Capacity	300cc
Gear Case Lubricant: Temp. Above 5°C (40°F)	SAE 90 Hypoid Gear Oil GL-4
Temp. Below 15°C (60°F)	SAE 80 Hypoid Gear Oil GL-4
All Weather Conditions	SAE 80W90 Hypoid Gear Oil GL-4



Ref No	Part Number	Description	Qty
21	1J7-46118-Y0-20	WASHER, thrust (2.0T)	1
	1J7-46118-Y0-21	WASHER, thrust (2.1T)	1
22	93101-30084-00	OIL SEAL	1
23	1J7-46152-Y0-00	HOUSING, bearing	1
24	93211-44348-00	O-RING	1
25	95311-08600-00	NUT	10
26	92901-08700-00	WASHER, wave	10
27	93102-70166-00	OIL SEAL	1
28	1J7-46117-Y0-30	SHIM, ring gear (0.30T)	1
	1J7-46117-Y0-35	SHIM, ring gear (0.35T)	1
	1J7-46117-Y0-40	SHIM, ring gear (0.40T)	1
	1J7-46117-Y0-45	SHIM, ring gear (0.45T)	1
	1J7-46117-Y0-50	SHIM, ring gear (0.50T)	1
29	4H1-15189-00-00	PLUG	1
30	90340-14042-00	PLUG, straight screw	1
31	214-11198-01-00	GASKET	2
32	98703-05018-00	SCREW, flat head (98701-05018)	1
33	4H3-17590-00-00	BREATHER COMP.	1
34	3J2-46172-00-00	SHAFT, drive	1
35	93108-27006-00	OIL SEAL	1
36	90201-27623-00	WASHER, plate	2
37	93410-26011-00	CIRCLIP	1
38	90468-12088-00	CLIP	1
39	90501-16491-00	SPRING, compression	1
40	2H7-46180-00-00	CROSS JOINT COMP.	1
41	90105-08066-00	BOLT, washer based	4
42	95616-10100-00	NUT, U	4
43	92906-10100-00	WASHER, spring	4
44	341-23469-00-00	CAP, bolt	1
*45	1J7-46181-11-00	LABEL, oil caution	1

*Indicates new part numbers activated from March, 1980

Final Gear Case Capacity	300cc
Gear Case Lubricant: Temp. Above 5°C (40°F)	SAE 90 Hypoid Gear Oil GL
Temp. Below 15°C (60°F)	SAE 80 Hypoid Gear Oil GL