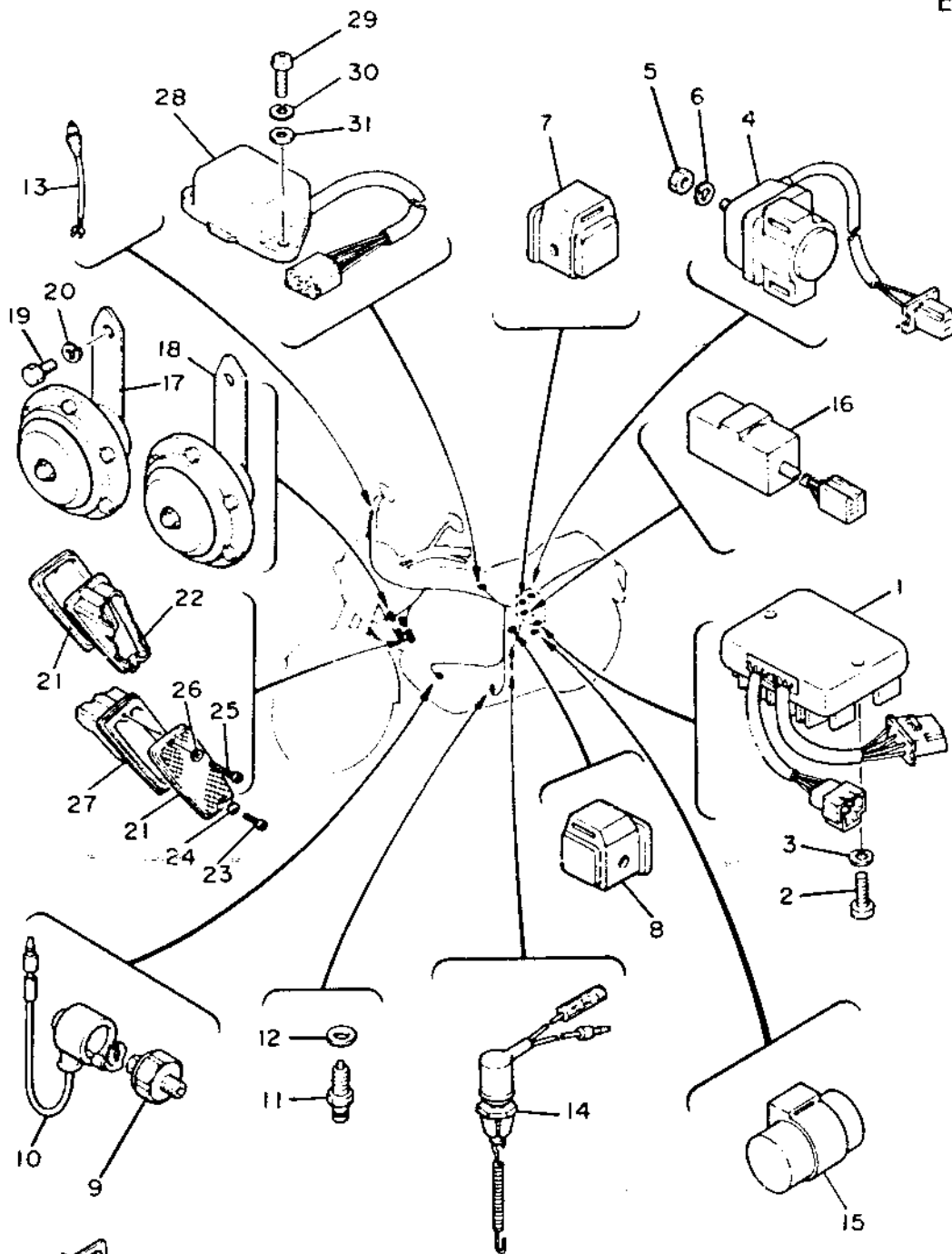


Ref No	Part Number	Description	Qty	Applicable Machine No	Remarks Refer to Bull No
1	447-82110-79-00	BATTERY ASS'Y (YUASA YB14L-A2) (447-82110-82)	1		
2	118-82141-09-00	LABEL, battery	1		
3	90445-08380-00	HOSE	1		
4	120-82131-00-00	BAND, battery	1		
5	447-82122-00-00	SEAT, battery	1		
6	1J7-82115-00-00	WIRE, plus lead	1		
7	1J7-82119-00-00	COVER, lead wire	2		
8	1J7-82116-00-00	WIRE, minus lead	1		
9	3Y6-82310-60-00	IGNITION COIL ASS'Y	3		
10	92903-06100-00	WASHER, spring (92901-06100)	6		
11	95301-06700-00	NUT	6		
12	1J7-82342-00-00	CORD, high tension 2	1		
13	1J7-82341-00-00	CORD, high tension 1	2		
14	90462-08056-00	CLAMP	1		
15	1J7-82370-00-00	PLUG CAP ASS'Y	3		
	1J7-82370-10-00	PLUG CAP ASS'Y	3		w/noise suppress
16	97701-50516-00	SCREW, pan head tapping	2		
17	92901-05600-00	WASHER, plate	2		
*18	4R3-82508-50-00	MAIN SWITCH ASS'Y	1		
19	533-82517-00-00	WASHER, special	2		
20	98501-05018-00	SCREW, pan head	2		
*21	4R3-82590-50-00	WIRE HARNESS ASS'Y	1		
22	1A0-82151-00-00	FUSE (12V-10A)	3		
23	1A0-82161-00-00	FUSE (12V-20A)	1		
24	3H5-81980-00-00	DIODE	1		
25	1J7-82594-01-00	CLAMP	1		
26	437-83936-10-00	BAND, switch cord	3		
*27	4R2-82305-10-00	IGNITOR UNIT ASS'Y	1		
28	92501-06025-00	SCREW, pan head	2		
29	90201-06557-00	WASHER, plate	2		

*Indicates new part numbers activated from March, 1980

TROUBLESHOOTING	
Ignition Coil Test Gap / Primary Ω / Secondary Ω	6mm / 2.75 Ω \pm 10% / 7.9K Ω \pm 20%
Pulsar Coil or Pickup Coil Color Code / Ω	Org ~ Blk / Yel ~ Blk / Gry ~ Blk / 650 Ω \pm 15%
Source Coil Color Code / Ω	\emptyset
LIGHTING SYSTEM	
Headlight / Taillight / Signal Rating	12V80-55W / 12V27-8W / 12V27W
Battery: Model / Specific Gravity / Charge Rate	Yuasa YB14L (12V 14AH) / 1.28 / 1.4A
Maximum Output	14V 20A @ 5000 rpm

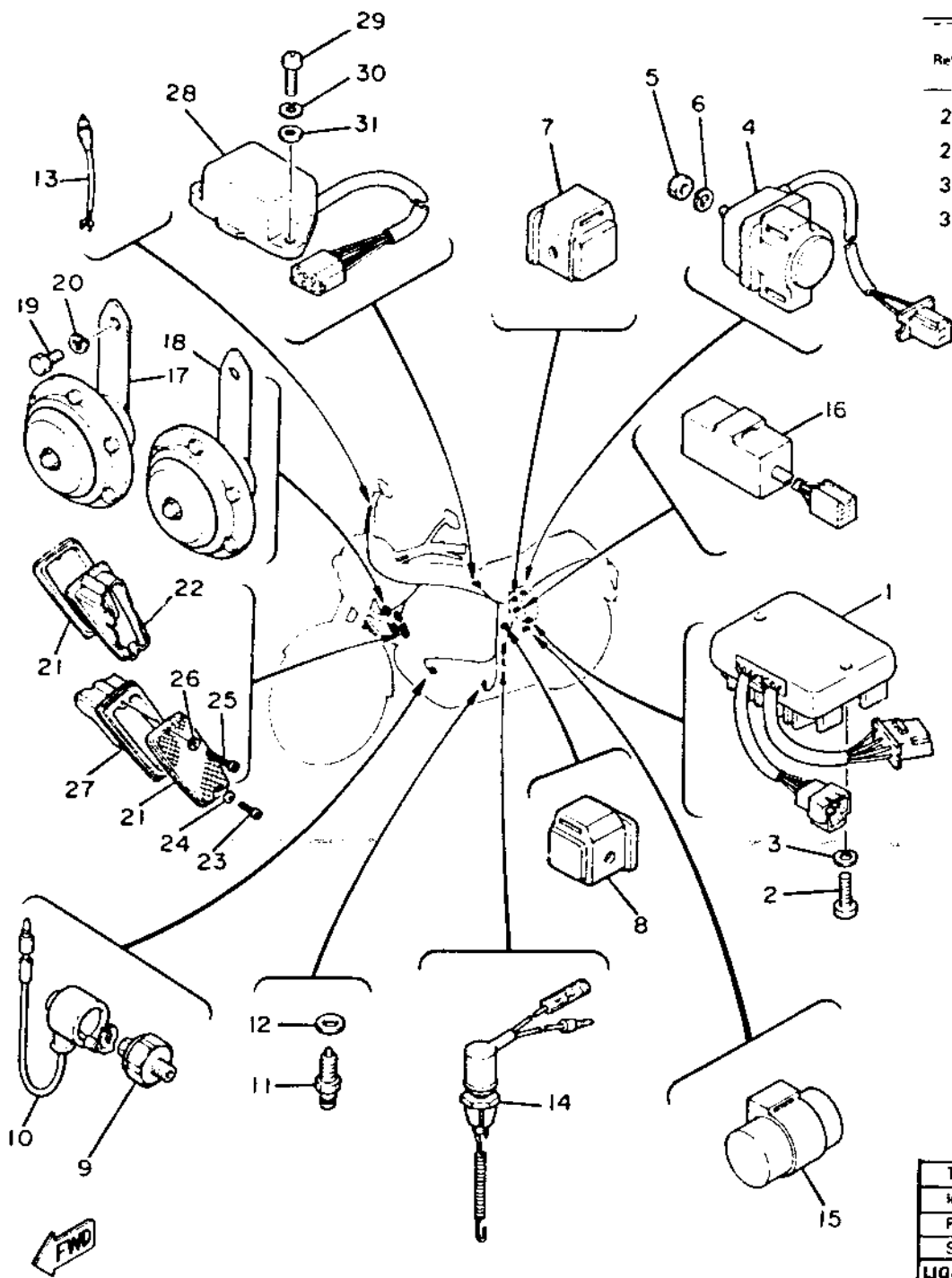
ELECTRICAL 2



Ref. No.	Part Number	Description	Qty
1	1T4-81960-92-00	RECTIFIER & REGULATOR ASS'Y	1
2	92501-06025-00	SCREW, pan head	2
3	92903-06100-00	WASHER, spring (92901-06100)	2
4	1J7-81940-10-00	STARTER SWITCH ASS'Y	1
	3H5-81940-00-00	STARTER SWITCH ASS'Y	1
5	95301-06700-00	NUT	2
6	92903-06100-00	WASHER, spring (92901-06100)	2
7	3H5-81950-00-00	HEADLIGHT RELAY ASS'Y	1
8	4H7-81950-01-00	STARTER CIRCUIT CUT-OFF RELAY	1
9	341-82504-02-00	OIL PRESSURE SWITCH ASS'Y	1
10	1J7-82507-00-00	WIRE, lead	1
11	2H7-82540-00-00	NEUTRAL SWITCH ASS'Y	1
12	90430-10148-00	GASKET	1
13	1A0-83980-30-00	FRONT STOP SWITCH ASS'Y	1
14	2F1-82530-00-00	STOP SWITCH ASS'Y	1
15	3J3-83350-70-00	FLASHER RELAY ASS'Y	1
16	1A0-83395-03-00	FLASHER CANCELLING UNIT	1
*17	4R2-83371-20-00	HORN	1
*18	4R2-83371-30-00	HORN	1
19	97306-08014-00	BOLT	2
20	92906-08100-00	WASHER, spring	2
21	3G1-85110-00-00	FRONT REFLECTOR ASS'Y	2
22	3J3-85127-00-00	BASE, reflector 1	1
23	98501-04018-00	SCREW, pan head	2
24	92901-04600-00	WASHER, plate	2
25	849-84724-00-00	SCREW, lens fitting	2
26	92901-04600-00	WASHER, plate	2
27	3J3-85127-50-00	BASE, reflector 2	1

*Indicates new part numbers activated from March, 1980

TROUBLESHOOTING	
Ignition Coil Test Gap / Primary Ω / Secondary Ω	6mm / 2.75 Ω \pm 10% / 7.9K Ω
Pulsar Coil or Pickup Coil Color Code / Ω	Org ~ Blk / Yel ~ Blk / Gry ~ Blk
Source Coil Color Code / Ω	\emptyset
LIGHTING SYSTEM	
Headlight / Taillight / Signal Rating	12V80-55W / 12V27-8W / 12V27-8W



Ref No	Part Number	Description	Qty	Applica Machine No
28	2F9-84308-00-00	RESERVE LIGHTING UNIT ASS'Y.	1	
29	92503-06020-00	SCREW, pan head (92051-06020)...	2	
30	92903-06100-00	WASHER, spring (92901-06100)....	2	
31	92901-06600-00	WASHER, plate.....	2	

TROUBLESHOOTING	
Ignition Coil Test Gap / Primary Ω / Secondary Ω	6mm / 2.75 Ω \pm 10% / 7.9K Ω \pm 20%
Pulse Coil or Pickup Coil Color Code / Ω	Org ~ Blk / Yel ~ Blk / Gry ~ Blk / 65
Source Coil Color Code / Ω	\emptyset
LIGHTING SYSTEM	
Headlight / Taillight / Signal Rating	12V80-55W / 12V27-8W / 12V27W

