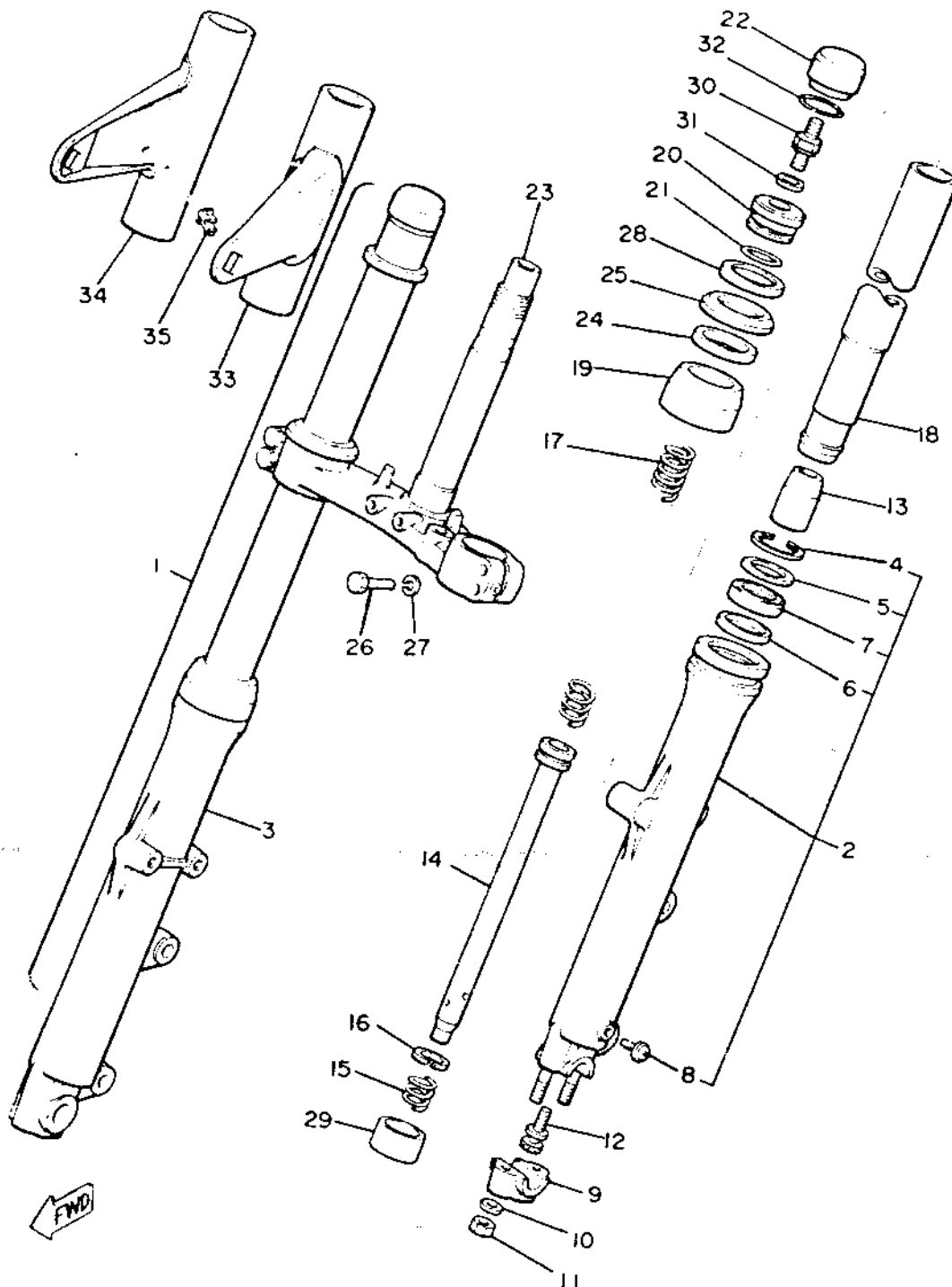


Ref No	Part Number	Description	Qty
1	3J3-23101-00-00	FRONT FORK ASS'Y	1
2	3J3-23126-00-00	TUBE, outer 1	1
3	3J3-23136-00-00	TUBE, outer 2	1
4	3J3-23156-00-00	CLIP, oil seal	2
5	3J3-23146-00-00	WASHER, oil seal	2
6	1T4-23147-00-00	O-RING	2
7	1T4-23145-00-00	OIL SEAL	2
8	1E7-23119-00-00	PLUG, drain	2
9	1J7-23167-00-00	HOLDER, axle	1
10	92901-08600-00	WASHER, plate	2
11	90185-08054-00	NUT, self-locking	2
12	3M7-23181-00-00	BOLT, hexagon socket head	2
13	1J3-23166-00-00	PIECE, oil lock	2
14	2G2-23170-00-00	CYLINDER COMP., front fork	2
15	1J3-23151-00-00	SPRING, rebound	2
16	1T4-23157-00-00	RING, piston	2
17	3J3-23141-00-00	SPRING, front fork	2
18	3J3-23110-00-00	INNER TUBE COMP. 1	2
19	1T4-23144-00-00	SEAL, dust	2
20	3J3-23111-00-00	BOLT, cap	2
21	2F3-23114-00-00	GASKET	2
22	3J3-23168-00-00	CAP, front fork	2
23	3J3-23340-00-33	UNDERBRACKET COMP. 73	1
24	1J3-23163-00-00	GASKET	2
25	3J3-23116-00-00	GUIDE, cover lower	2
26	3J3-23346-00-00	BOLT 1	4
27	3J3-23159-00-00	WASHER, spring lower	4
28	1T4-23115-00-00	GUIDE, cover upper	2

Front Forks: Oil Type / Level / Qty	10 Wt. Fork Oil* or Equivalent / Ø / 196cc
Gas Pressure	0.4 kg/cm <sup>2</sup> (5.7 psi)
Spring Length Std	508.5mm



Ref No	Part Number	Description	Qty
29	3J3-23135-00-00	METAL slide 2	2
30	3H3-23190-00-00	AIR VALVE COMP.	2
31	3H3-23147-00-00	O-RING	2
32	1J3-23183-01-00	RING, stopper	2
33	3J3-23121-00-93	COVER, upper 1	1
34	3J3-23131-00-93	COVER, upper 2	1
35	90464-16025-00	CLAMP	2

Front Forks: Oil Type / Level / Qty	10 Wt. Fork Oil* or Equivalent / $\varnothing$ / 195cc
Gas Pressure	0.4 kg/cm <sup>2</sup> (5.7 psi)
Spring Length Std	508.5mm