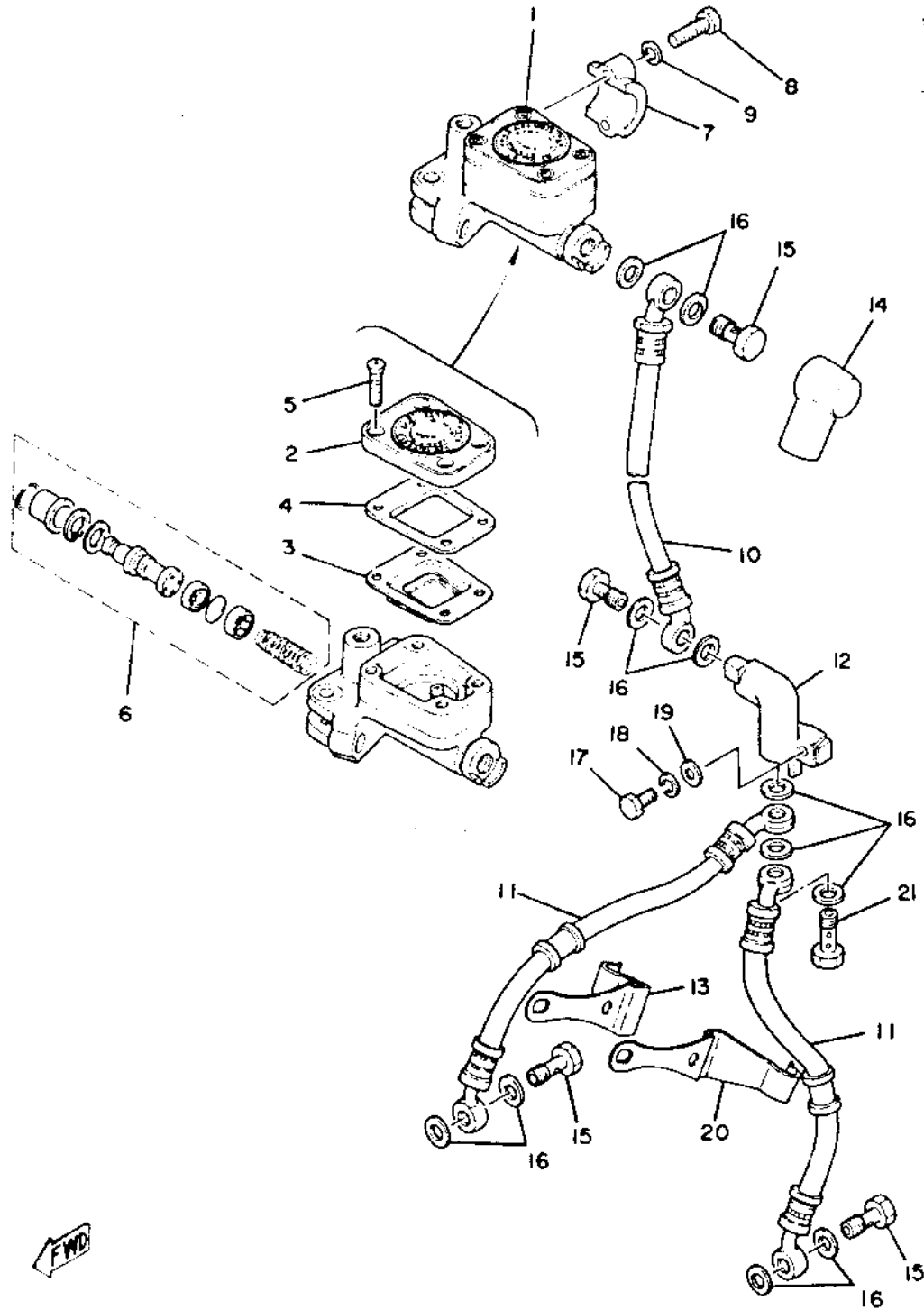


Ref. No	Part Number	Description	Qty	Applicable Machine No
1	3J2-25831-00-00	DISC, brake	1	
2	90101-08477-00	BOLT	12	
3	3H5-25834-00-00	WASHER, lock	6	
4	3J2-25831-10-00	DISC, brake	1	
5	3H5-25810-02-00	CALIPER ASS'Y (Right)	1	
6	3H5-W0045-01-00	BRAKE PAD KIT, front	1	
7	1J3-25917-00-00	BOOT, caliper	1	
8	1J3-25838-00-00	SLEEVE, caliper	1	
9	90105-08145-00	BOLT, washer based	1	
10	1J3-W0048-00-00	BREED SCREW KIT	1	
*11	1J3-W0057-00-00	PISTON ASS'Y, caliper	1	
12	1J3-W0047-00-00	CALIPER SEAL KIT	1	
13	1J3-25845-01-00	CAP, indicator	1	
14	3H5-25827-00-00	SHIM, caliper	1	
15	3H5-25828-00-00	SHIM, caliper	1	
16	90101-10308-00	BOLT	4	
17	92903-10100-00	WASHER, spring (92901-10100)	4	
18	92903-10200-00	WASHER, plain (92901-10200)	4	
*19	3H5-25810-12-00	CALIPER ASS'Y (left)	1	
20	3H5-W0045-01-00	BRAKE PAD KIT, front	1	
21	1J3-25917-00-00	BOOT, caliper	1	
22	1J3-25838-00-00	SLEEVE, caliper	1	
23	90105-08145-00	BOLT, washer based	1	
24	1J3-W0048-00-00	BREED SCREW KIT	1	
*25	1J3-W0057-00-00	PISTON ASS'Y, caliper	1	
26	1J3-W0047-00-00	CALIPER SEAL KIT	1	
27	1J3-25845-01-00	CAP, indicator	1	
28	3H5-25827-00-00	SHIM, caliper	1	
*29	3H5-25828-10-00	SHIM, caliper	1	

Minimum Brake Lining Thickness	Front: 6.0mm	Rear: 6.0mm
Tire Size (Nominal Pressure)	F:3.25H19 (2.8 kg/cm ² /40 psi)	R:4.50H17 (2.8 kg/cm ² /40 psi)



Ref No	Part Number	Description	Qty
1	1J3-25850-23-00	MASTER CYLINDER ASS'Y	1
2	1J3-25852-01-00	CAP, reservoir	1
3	1J3-25854-01-00	DIAPHRAGM, reservoir	1
4	1J3-25855-01-00	BUSH, diaphragm	1
5	2G2-25857-00-00	SCREW, master cylinder	4
6	1J3-W0041-20-00	CYLINDER KIT, master	1
7	1J3-25867-00-00	BRACKET, master cylinder	1
8	97326-06025-00	BOLT	2
9	92906-06100-00	WASHER, spring	2
10	1T4-25872-01-00	HOSE, brake 1	1
11	1J7-25873-01-00	HOSE, brake 2	2
12	1J7-25885-01-00	JOINT	1
13	1J7-25875-00-00	HOLDER, brake hose 1	1
14	306-25862-00-00	BOOT, master cylinder	1
15	90401-10034-00	BOLT, union	4
16	90201-10118-00	WASHER, plate	11
17	97301-06025-00	BOLT	1
18	92903-06100-00	WASHER, spring (92901-06100)	1
19	92901-06600-00	WASHER, plate	1
20	1J7-25876-00-00	HOLDER, brake hose 2	1
21	90401-10044-00	BOLT, union	1