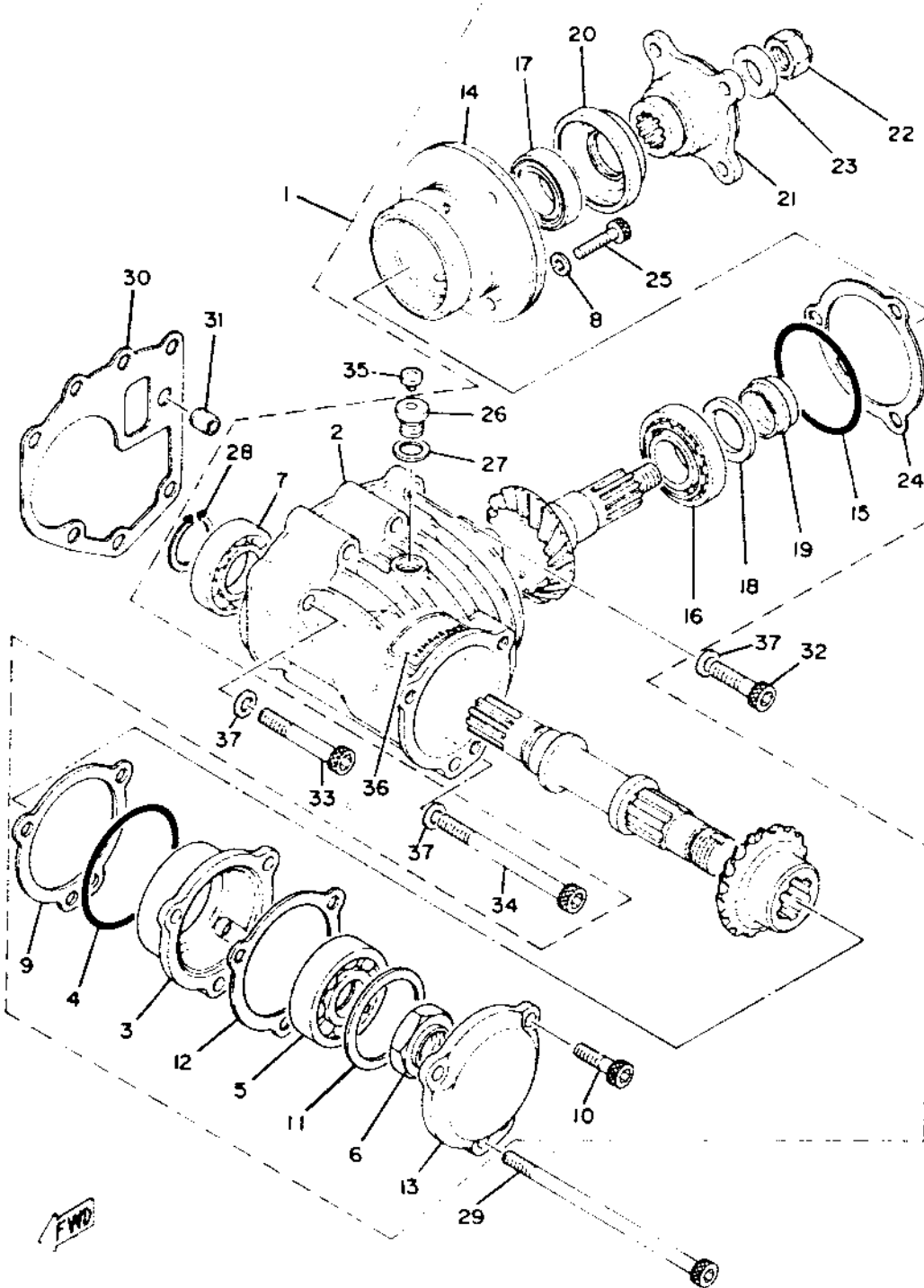


Ref No	Part Number	Description	Qty	Machine No.
1	3J2-17501-H0-00	MIDDLE GEAR CASE ASS'Y	1	
2	2H7-17511-00-00	HOUSING, middle gear	1	
3	2H7-17521-00-00	HOUSING, bearing	1	
4	93210-68347-00	O-RING	1	
5	93306-30524-00	BEARING (86305)	1	
6	90179-24230-00	NUT	1	
7	93306-00608-00	BEARING (B6006)	1	
8	90201-08675-00	WASHER, plate	3	
9	1J7-17531-Y0-10	SHIM, pinion (0.10T)	1	U.R.
	1J7-17531-Y0-15	SHIM, pinion (0.15T)	1	U.R.
	1J7-17531-Y0-30	SHIM, pinion (0.30T)	1	U.R.
10	91311-08030-00	BOLT	3	
11	1J7-17537-Y0-15	SHIM, thrust (0.15T)	1	U.R.
	1J7-17537-Y0-30	SHIM, thrust (0.30T)	1	U.R.
	1J7-17537-Y0-40	SHIM, thrust (0.40T)	1	U.R.
	1J7-17537-Y0-50	SHIM, thrust (0.50T)	1	U.R.
12	1J7-17519-Y0-00	GASKET, housing cap	1	
13	2H7-17538-00-00	CAP, housing	1	
14	2H7-17551-00-00	HOUSING, bearing	1	
15	93210-71360-00	O-RING	1	
16	93332-00028-00	BEARING	1	
17	93332-00024-00	BEARING	1	
18	90201-25634-00	WASHER, plate	1	
19	2H7-17571-00-00	SPACER, expansion	1	
20	93101-35085-00	OIL SEAL	1	
21	1J7-17555-Y0-00	FLANGE, middle gear	1	
22	90185-14070-00	NUT, self-locking	1	

Middle Gear Case Capacity	375cc
Final Gear Case Capacity	300cc
Gear Case Lubricant: Temp. Above 5°C (40°F)	SAE 90 Hypoid Gear Oil GL-4
Temp. Below 15°C (60°F)	SAE 80 Hypoid Gear Oil GL-4
All Weather Conditions	SAE 80W90 Hypoid Gear Oil GL-4
Primary Drive Type / Teeth / Ratio	Spur Gear - Silent Chain / 45-27 / 1.666
Secondary Drive Type / Teeth / Chain	Shaft / 35-31 x 19-18 x 32-11 / Ø



Ref No	Part Number	Description	Qty	Applicable March No.
23	90201-14633-00	WASHER, plate	1	
24	2H7-17531-00-10	SHIM, pinion (0.10T)	1	U.R.
	2H7-17531-00-15	SHIM, pinion (0.15T)	1	U.R.
	2H7-17531-00-30	SHIM, pinion (0.30T)	1	U.R.
25	91311-08030-00	BOLT	3	
26	90340-14046-00	PLUG, straight screw	1	
27	214-11198-01-00	GASKET	1	
28	93410-30012-00	CIRCLIP	1	
29	90110-08021-00	BOLT, hexagon socket head	1	
30	1J7-17518-00-00	GASKET, middle gear case	1	
31	91830-21014-00	PIN, dowel	1	
*32	91311-08035-00	BOLT	1	
*33	91311-08060-00	BOLT	3	
*34	91311-08100-00	BOLT	2	
35	341-23469-00-00	CAP. bolt	1	
*36	1J7-46181-11-00	LABEL, oil caution	1	
37	90201-08675-00	WASHER, plate	6	

*Indicates new part numbers activated from March, 1980

Middle Gear Case Capacity	375cc
Final Gear Case Capacity	300cc
Gear Case Lubricant: Temp. Above 5°C (40°F)	SAE 90 Hypoid Gear Oil GL-4
Temp. Below 15°C (60°F)	SAE 80 Hypoid Gear Oil GL-4
All Weather Conditions	SAE 80W90 Hypoid Gear Oil GL-4
Primary Drive Type / Teeth / Ratio	Spur Gear - Silent Chain / 45-27 / 1
Secondary Drive Type / Teeth / Chain	Shaft / 35-31 x 1 1/2-18 x 32-11 / Ø