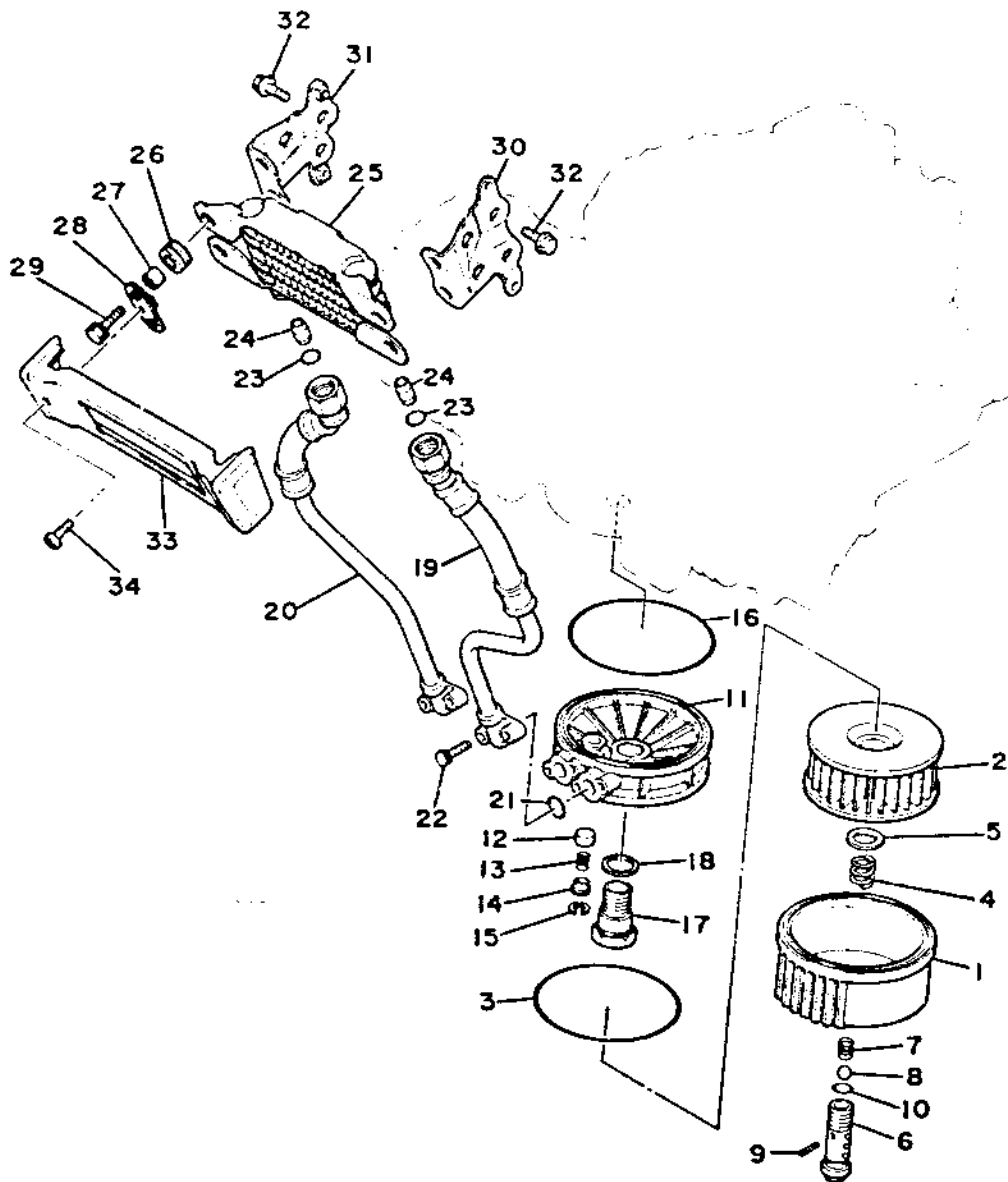


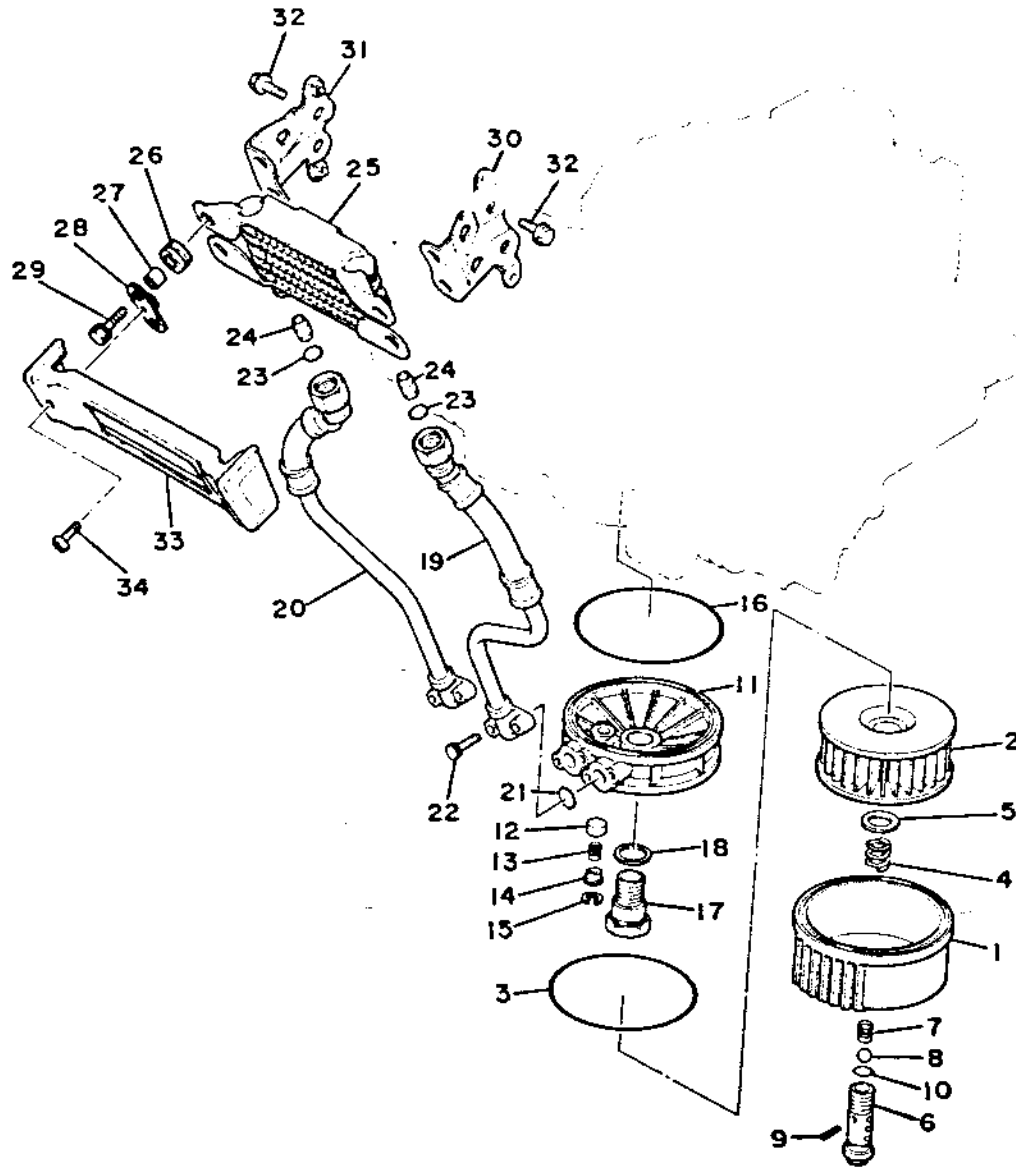
OIL COOLER · OIL CLEANER



Ref. No.	Part Number	Description	Qty
1	2H7-13447-00-00	COVER, oil element	1
2	1J7-13440-91-00	ELEMENT ASS'Y, oil cleaner.....	1
3	93211-17317-00	O-RING	1
4	90501-18433-00	SPRING, compression	1
5	90201-21608-00	WASHER, plate.....	1
6	90401-20052-00	BOLT, union	1
7	90501-12413-00	SPRING, compression	1
8	93501-02018-00	BALL	1
9	91609-20018-00	PIN, spring	1
10	93210-16314-00	O-RING	1
11	3J3-13461-00-00	PLATE, adaptor.....	1
12	2H9-13493-00-00	PLUNGER	1
13	90501-12413-00	SPRING, compression	1
14	90209-06173-00	WASHER.....	1
15	93420-17046-00	CIRCLIP.....	1
16	93211-17317-00	O-RING	1
17	90401-20053-00	BOLT, union	1
18	90201-25526-00	WASHER, plate.....	1
19	3J3-13464-01-00	HOSE, oil 1.....	1
20	3J3-13465-01-00	HOSE, oil 2.....	1
21	93210-14369-00	O-RING	2
22	91316-06025-00	BOLT	4
23	93210-12152-00	O-RING	2
24	91830-22016-00	Pin, dowel (91810-08016).....	2
25	3J3-13470-01-00	OIL COOLER ASS'Y	1
26	90480-15235-00	GROMMET	4
27	90387-060A7-00	COLLAR.....	4
*28	4R2-13489-00-00	PLATE	2

*Indicates new part numbers activated from March, 1980





Ref No.	Part Number	Description	Qty.
29	90105-06116-00	BOLT, washer based	4
30	3J3-13472-01-00	HOLDER, oil cooler 1.....	1
31	3J3-13482-01-00	HOLDER, oil cooler 2.....	1
32	90105-06146-00	BOLT, washer based	4
*33	4R2-13462-00-00	CASE, oil cooler.....	1
34	98906-05015-00	SCREW, bind (98906-05016).....	2

*Indicates new part numbers activated from March, 1980

