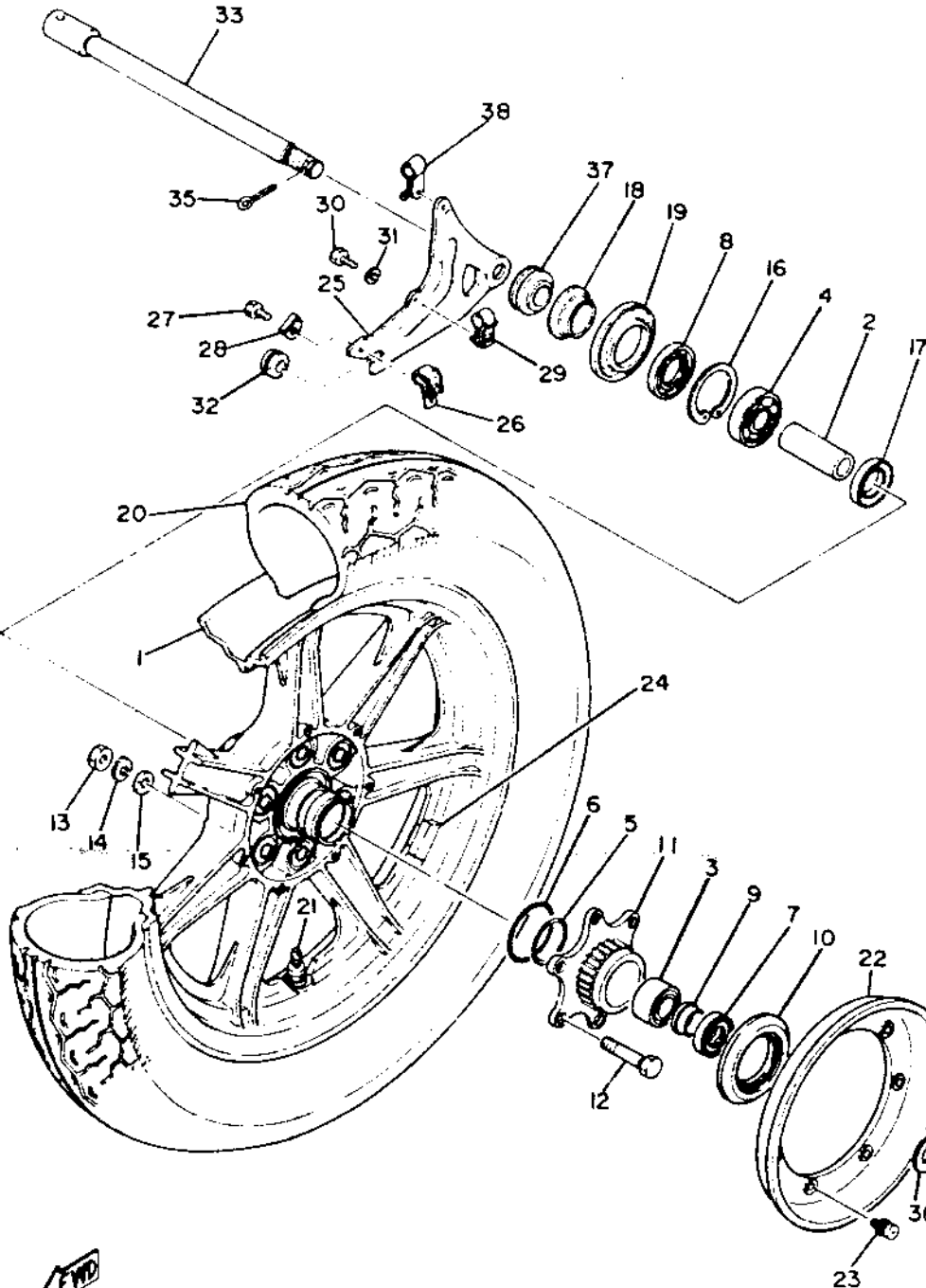


Ref No	Part Number	Description	Qty	Applicable Machine No
1	2H8-W2533-00-00	CAST WHEEL, rear (2.50-17)	1	
2	2H7-25317-00-00	SPACER bearing	1	
3	93313-62010-00	BEARING, cylindrical	1	
4	93306-30404-00	BEARING (B6304Z)	1	
5	93210-41358-00	O-RING	1	
6	93210-58144-00	O-RING	1	
7	93102-25045-00	OIL SEAL	1	
8	93104-27026-00	OIL SEAL	1	
9	90387-20741-00	COLLAR	1	
10	3J3-25319-00-00	SEAL, hub dust	1	
11	2H7-25366-00-00	CLUTCH, hub	1	
12	90109-10491-00	BOLT	6	
13	95380-10600-00	NUT	6	
14	92903-10100-00	WASHER, spring (92901-10100)	6	
15	90201-10124-00	WASHER, plate	6	
16	93420-52014-00	CIRCLIP	1	
17	2H7-25315-00-00	FLANGE, spacer	1	
18	1J7-25377-00-00	COLLAR, wheel	1	
19	1J7-25367-00-00	COVER, hub dust	1	
*20	94145-17552-00	TIRE (4.50-17)	1	
21	93900-00001-00	VALVE, rim	1	
22	2H7-25327-00-00	COVER, plate	1	
23	90159-05018-00	SCREW, with washer	4	
24	1A1-25398-01-00	BALANCER, wheel (20G)	1	U.N.
	1A1-25399-00-00	BALANCER, wheel (10G)	1	U.N.
	2M0-25399-00-00	BALANCER, wheel (30G)	1	U.N.
25	3J3-25371-01-00	PLATE, torque stopper	1	
26	90461-08051-00	CLAMP	1	

Rear Axle Nut	18 x 1.5: 16.0 m-kp
Rear Axle Pinch Bolt	8 x 1.25: 0.6 m-kp
Minimum Brake Lining Thickness	Front: 6.0mm Rear: 6.0mm
Tire Size (Nominal Pressure)	F 3.25H19 Q.8 kg/cm ² /40 psi R 4.50H17 Q.8 kg/cm ² /40 psi



Ref. No	Part Number	Description	Qty
27	97306-06012-00	BOLT	1
28	90215-06128-00	WASHER, lock	1
29	90461-08052-00	CLAMP	1
30	97306-06016-00	BOLT	1
31	92906-06100-00	WASHER, spring	1
32	3H3-25374-00-00	SPACER, torque stopper	1
33	3J3-25381-00-00	AXLE, wheel	1
34	90171-18008-00	NUT, castle	1
35	91401-40035-00	PIN, cotter	1
36	90201-18620-00	WASHER, plate	1
37	90387-20740-00	COLLAR	1
38	90461-12053-00	CLAMP	1



Rear Axle Nut	18 x 1.5: 16.0 m·kg
Rear Axle Pinch Bolt	8 x 1.25: 0.6 m·kg
Minimum Brake Liner Thickness	Front: 6.0mm Rear: 6.0mm