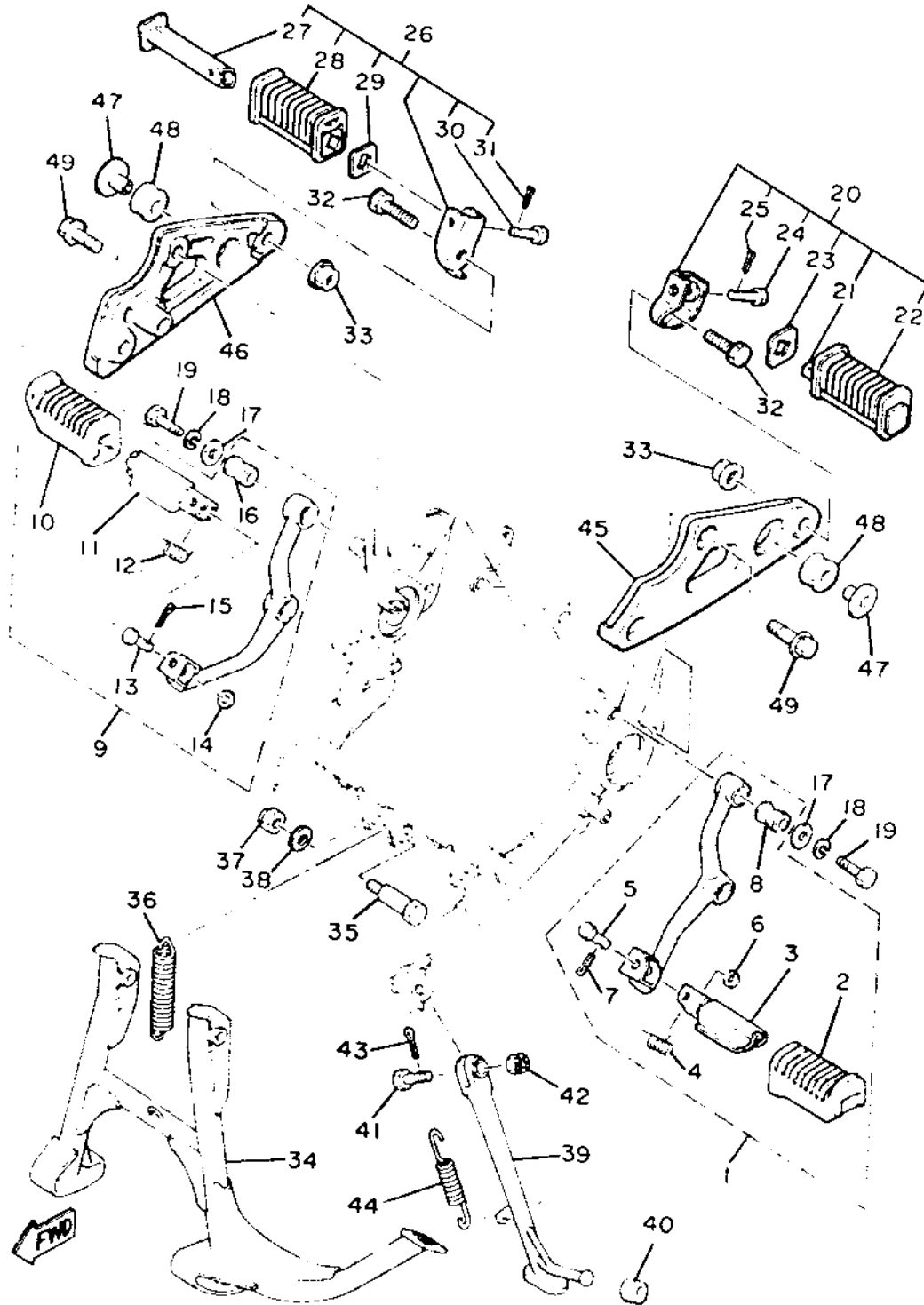


Ref No	Part Number	Description	Qty
1	2G2-27410-00-00	FRONT FOOTREST ASS'Y (L.H.)	1
2	1J7-27413-01-00	COVER, footrest	1
3	1J7-27451-00-00	FOOTREST	1
4	90508-20154-00	SPRING, torsion	1
5	90240-08063-00	PIN, clevis	1
6	90201-08083-00	WASHER, plate	1
7	91401-30015-00	PIN, cotter	1
8	256-27414-00-00	DAMPE, footrest	2
9	2G2-27420-00-00	FRONT FOOTREST ASS'Y (R.H.)	1
10	1J7-27413-01-00	COVER, footrest	1
11	1J7-27461-00-00	FOOTREST	1
12	90508-20155-00	SPRING, torsion	1
13	90240-08063-00	PIN, clevis	1
14	90201-08083-00	WASHER, plate	1
15	91401-30015-00	PIN, cotter	1
16	256-27414-00-00	DAMPER, footrest	2
17	90201-08107-00	WASHER, plate	4
18	92903-08100-00	WASHER, spring (92901-08100)	4
19	97321-08014-00	BOLT	4
20	3J2-Y2743-00-00	REAR FOOTREST ASS'Y 1	1
21	447-27431-00-00	FOOTREST, rear 1	1
22	1J7-27433-00-00	COVER, rear footrest	1
23	90209-18070-00	WASHER	1
24	91701-06035-00	PIN, clevis	1
25	91401-16015-00	PIN, cotter (91401-16012)	1
26	3J2-Y2744-00-00	REAR FOOTREST ASS'Y 2	1
27	447-27441-00-00	FOOTREST, rear 2	1
28	1J7-27444-00-00	COVER, rear footrest	1



Ref. No.	Part Number	Description	Qty
29	90209-18070-00	WASHER	1
30	91701-06035-00	PIN, clevis	1
31	91401-16015-00	PIN, cotter (91401-16012)	1
32	97321-10025-00	BOLT	2
33	95701-10100-00	NUT, flange	2
34	3J2-27111-02-00	STAND, main	1
35	90109-10563-00	BOLT	2
36	90506-40145-00	SPRING, tension	1
37	95601-10100-00	NUT, U	2
38	92901-10600-00	WASHER, plate (92902-10600)	2
39	2G2-27311-01-00	STAND, side	1
40	3J3-27314-00-00	STOPPER	1
41	90102-10006-00	BOLT, with hole	1
42	90171-10012-00	NUT, castle	1
43	91490-20025-00	PIN, cotter (91403-20025)	1
44	90506-28146-00	SPRING, tension	1
*45	3J2-27412-01-00	BRACKET, footrest 1	1
*46	3J2-27422-01-00	BRACKET, footrest 2	1
47	90387-104A7-00	COLLAR	2
48	3J2-27414-00-00	DAMPER, footrest	2
49	90105-10108-00	BOLT, washer based	4

*Indicates new part numbers activated from March, 1980