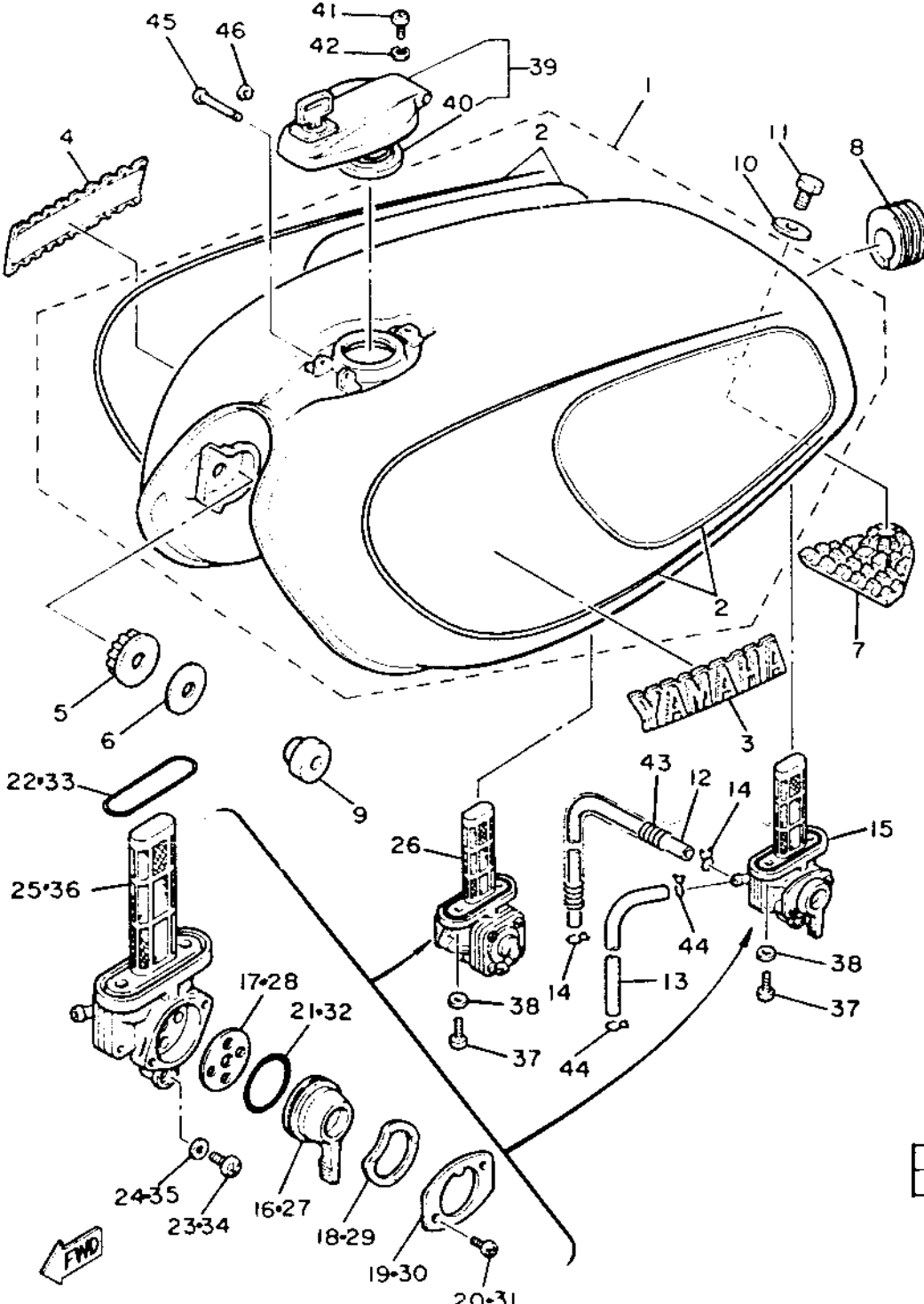


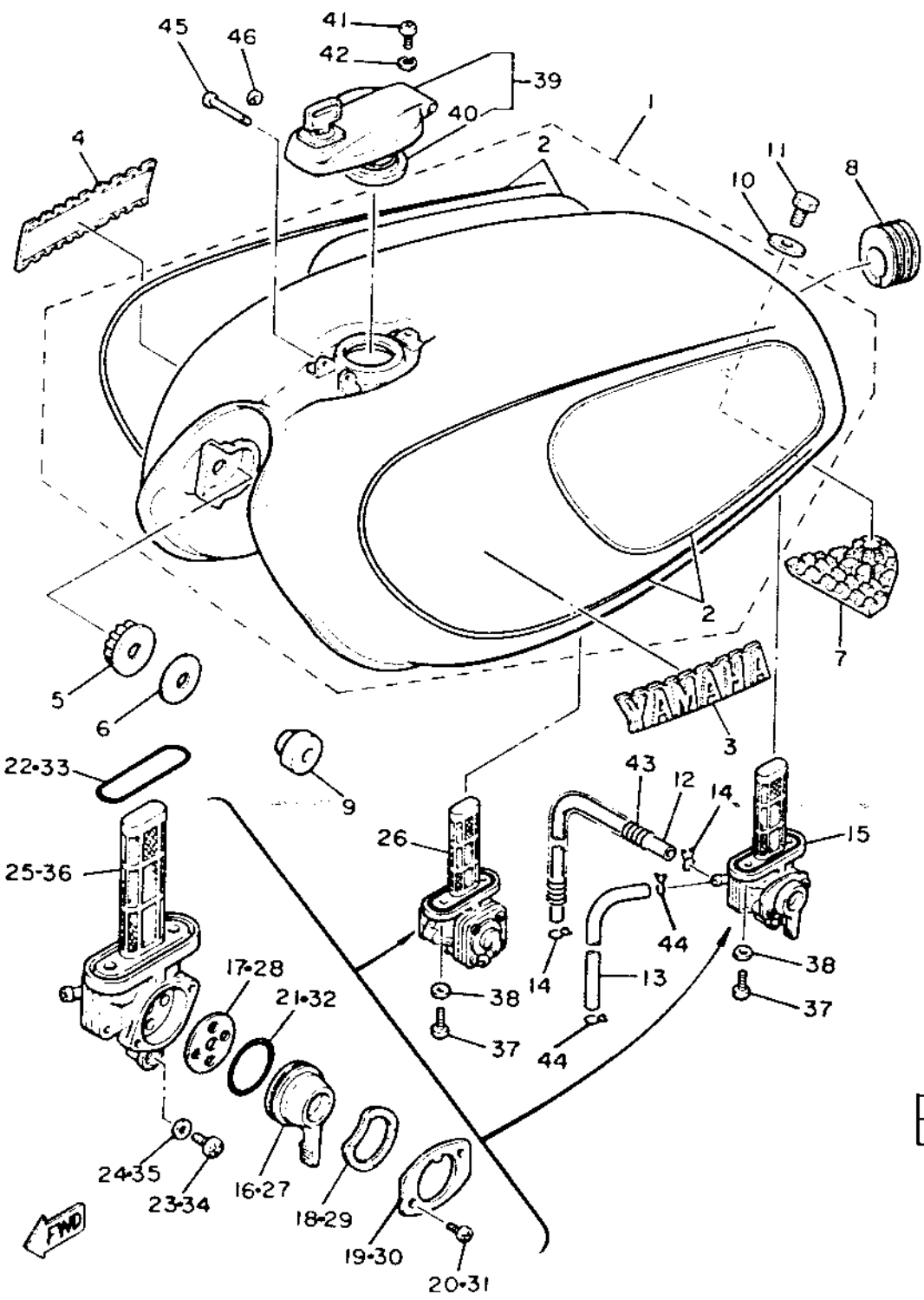
FUEL TANK



Ref No	Part Number	Description	Qty	Applicable Machine No
* 1	1J7-24110-00-X6	FUEL TANK COMP.	1	
* 2	4R3-24240-00-00	GRAPHIC SET	1	
* 3	4E2-24161-00-00	EMBLEM 1	1	
* 4	4E2-24162-00-00	EMBLEM 2	1	
5	1J7-24181-01-00	DAMPER, locating 1	2	
6	90201-13791-00	WASHER, plate.	2	
7	1J7-24182-01-00	DAMPER, locating 2	1	
8	3J3-24183-00-00	DAMPER, locating 3	2	
9	1M3-27114-00-00	STOPPER, main stand	2	
10	90209-08098-00	WASHER	1	
11	97301-08012-00	BOLT	1	
12	90445-10133-00	HOSE	2	
13	90445-09489-00	HOSE	2	
14	90467-09006-00	CLIP	4	
*15	3J3-24500-02-00	FUEL COCK ASS'Y 1	1	
16	2G2-24524-00-00	LEVER, cock.	1	
17	2G2-24523-00-00	VALVE	1	
18	2G2-24518-00-00	WASHER, wave	1	
19	2G2-24525-00-00	PLATE, lever fitting	1	
20	98501-03008-00	SCREW, pan head	2	
21	2G2-24534-00-00	O-RING	1	
22	2G2-24512-00-00	O-RING	1	
23	97801-06008-00	SCREW, pan head	1	
24	2G2-24522-00-00	GASKET	1	
*25	3Y1-24514-10-00	NET, filter 1	1	
*26	3J3-24510-02-00	FUEL COCK ASS'Y 2	1	
27	2G2-24524-10-00	LEVER, cock.	1	
28	2G2-24523-00-00	VALVE	1	

\*Indicates new part numbers activated from March, 1980

Basic Color(s)	Star Silver
Fuel Type / Fuel Tank Capacity / Reserve Capacity	Regular / 17 Lit. (4.5 Gal.) / 3.0 Lit. (0.8 Gal.)



Ref No	Part Number	Description	Qty
29	2G2-24518-00-00	WASHER, wave	1
30	2G2-24525-10-00	PLATE, lever fitting	1
31	98501-03008-00	SCREW, pan head	2
32	2G2-24534-00-00	O-RING	1
33	2G2-24512-00-00	O-RING	1
34	97801-06008-00	SCREW, pan head	1
35	2G2-24522-00-00	GASKET	1
*36	3Y1-24514-10-00	NET, filter 1	1
37	90149-06008-00	SCREW	4
38	90202-06010-00	WASHER, plate	4
*39	4R3-24602-00-00	CAP ASS'Y	1
40	584-24641-00-00	GASKET, cap 1	1
41	98501-05010-00	SCREW, pan head (98503-05008)	1
42	92903-05100-00	WASHER, spring (92901-05100)	1
*43	90504-06030-00	SPRING, compression	2
44	90467-08003-00	CLIP	4
45	90249-03123-00	PIN	1
46	93430-02001-00	CIRCLIP	1

\*Indicates new part numbers activated from March, 1980

Basic Color(s)	Star Silver
Fuel Type / Fuel Tank Capacity / Reserve Capacity	Regular / 17 Lit. (4.5 Gal.) / 3.1