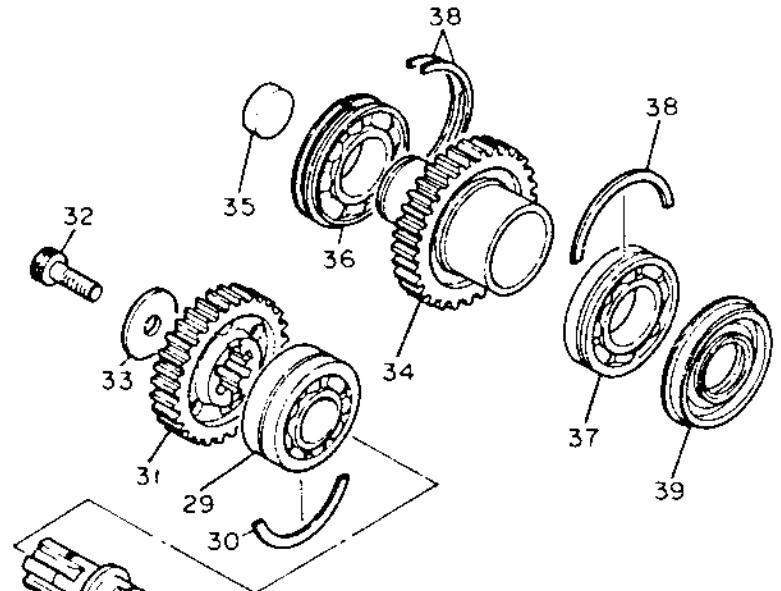


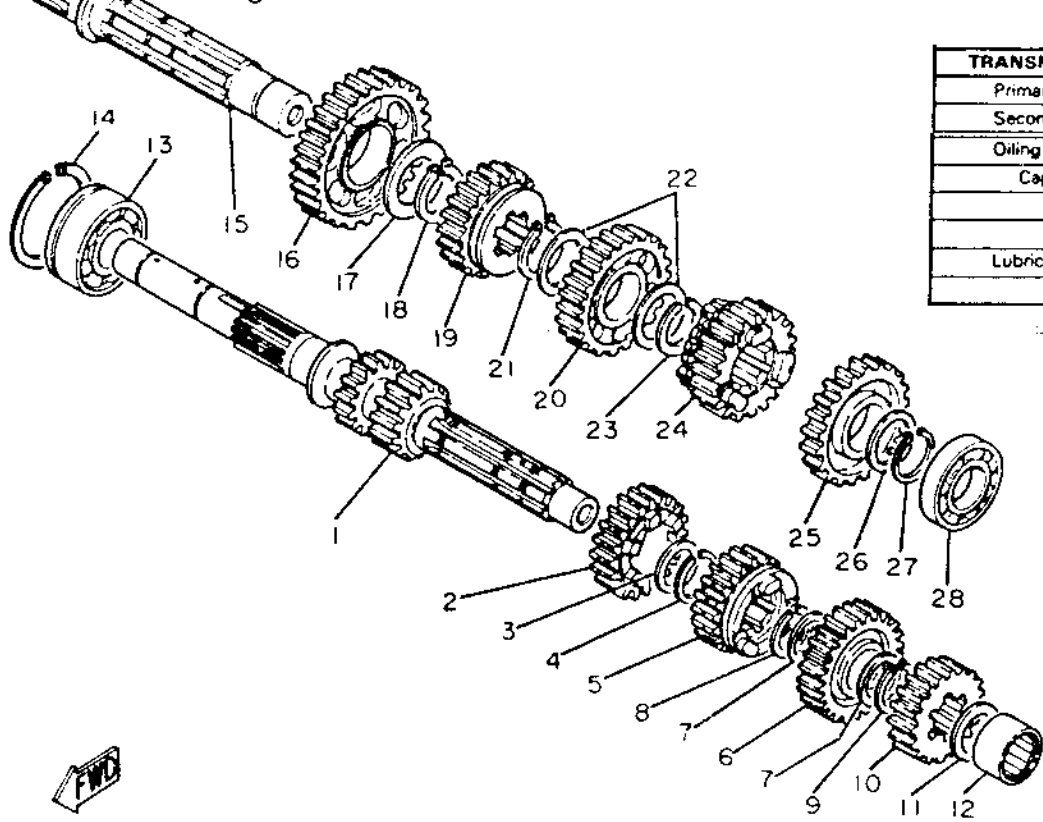
Ref No	Part Number	Description	Qty.	Applicable Machine No	Re Bu
1	3J2-17411-01-00	AXLE, main (14T)	1		
2	3J2-17141-00-00	GEAR, 4th pinion (21T)	1		
3	90201-25287-00	WASHER, plate	1		
4	93440-25020-00	CIRCLIP	1		
5	3J2-17131-00-00	GEAR, 3rd pinion (20T)	1		
6	1J7-17151-04-00	GEAR, 5th pinion (23T)	1		
7	90209-22191-00	WASHER	2		
8	93440-25020-00	CIRCLIP	1		
9	93410-25017-00	CIRCLIP	1		
10	256-17121-01-00	GEAR, 2nd pinion (17T)	1		
11	137-17427-00-09	SHIM (0.9T)	1		
12	93311-32024-00	BEARING, cylindrical	1		
13	93305-20504-00	BEARING (B5205)	1		
14	93440-52014-00	CIRCLIP	1		
15	3J2-17421-00-00	AXLE, drive	1		
16	3J2-17211-01-00	GEAR, 1st wheel (32T)	1		
17	90201-30398-00	WASHER, plate	1		
18	93410-30012-00	CIRCLIP	1		
19	1J7-17241-03-00	GEAR, 4th wheel (23T)	1		
20	1J7-17231-03-00	GEAR, 3rd wheel (26T)	1		
21	93410-30012-00	CIRCLIP	1		
22	90209-27192-00	WASHER	2		
23	93440-30077-00	CIRCLIP	1		
24	1J7-17251-03-00	GEAR, 5th wheel (22T)	1		
25	3J2-17221-00-00	GEAR, 2nd wheel (27T)	1		
26	117-15644-00-00	SHIM	1		
27	93410-25010-00	CIRCLIP	1		
28	93306-20538-00	BEARING (B6205Z)	1		

Oiling System		Wet Sump
Capacity: Dry		3700cc
Oil and Filter Change		3100cc
Oil Change		2800cc
Lubricant: Temp. Above 5°C (40°F)		Yamalube 4* or SAE 20W/40 SE
Temp. Below 15°C (60°F)		Yamalube 4* or SAE 10W/30 SE
TRANSMISSION - Oil Type/Qty Chg/Qty Reassemble		See ENGINE Above
Primary Drive Type / Teeth / Ratio		Spur Gear - Silent Chain / 45-27 / 1.666
Secondary Drive Type / Teeth / Chain		Shaft / 35-31 x 19 18 x 32-11 / Ø

TRANSMISSION



Ref No	Part Number	Description	Qty	App. Mac. No.
29	93305-20603-00	BEARING (B5206)	1	
30	93440-62046-00	CIRCLIP	1	
31	3J3-17582-00-00	GEAR, middle drive (31T)	1	
32	90105-10108-00	BOLT, washer based	1	
33	90201-10595-00	WASHER, plate	1	
34	3J2-17583-00-00	GEAR, middle driven (35T)	1	
35	90331-27013-00	PLUG	1	
36	93306-20707-00	BEARING (B6207N)	1	
37	93306-20705-00	BEARING (B6207N)	1	
38	93440-72049-00	CIRCLIP	5	
39	93103-35105-00	OIL SEAL	1	



TRANSMISSION - Oil Type/Qty Chg/Qty Reassemble		See ENGINE Above
Primary Drive Type / Teeth / Ratio		Spur Gear - Silent Chain / 4
Secondary Drive Type / Teeth / Chain		Shaft / 35-31 x 19-18 x 32-1
Oiling System		Wet Sump
Capacity: Dry		3700cc
Oil and Filter Change		3100cc
Oil Change		2800cc
Lubricant: Temp. Above 5°C (40°F)		Yamalube 4* or SAE 20W40
Temp. Below 15°C (60°F)		Yamalube 4* or SAE 10W30

